

Schottky Barrier Rectifier

1A High Voltage

multicomp^{PRO}

RoHS
Compliant



Applications:

- Polarity Protection Diode
- Re-Circulating Diode
- Blocking Diode
- DC-DC
- AC-DC

Features:

- Guard Ring Die Construction for Transient Protection
- Ideally Suited for Automated Assembly
- Low Power Loss, High Efficiency
- For Use in Low Voltage, High Frequency Inverters, Free Wheeling, and Polarity Protection Application
- High Temperature Soldering: +260°C/10 Second at Terminal

Mechanical Data:

Case	: SMB
Case Material	: Molded Plastic. "Green" Molding Compound. UL Flammability Classification Rating 94V-0
Moisture Sensitivity	: Level 1 per J-STD-020
Terminals	: Lead Free Plating (Matte Tin Finish). Solderable per MIL-STD-202, Method 208
Polarity	: Cathode Band
Weight	: 0.093 grams (Approximate)

Product Summary (@ +25°C)

V _{RRM} (V)	I _O (A)	V _F Max (V)	I _R Max (mA)
100	1	0.79	0.5

Maximum Ratings: @T_A = 25°C unless otherwise specified

Single phase, half wave, 60Hz, resistive or inductive load.

For capacitance load, derate current by 20%.

Characteristic	Symbol	Value	Unit
Peak Repetitive Reverse Voltage Working Peak Reverse Voltage DC Blocking Voltage	V _{RRM} V _{RWM} V _R	100	V
RMS Reverse Voltage	V _{R(RMS)}	70	
Average Rectified Output Current @ T _T = 125°C	I _O	1	A
Non-Repetitive Peak Forward Surge Current 8.3ms Single Half Sine-Wave Superimposed on Rated Load	I _{FSM}	30	
Repetitive Peak Reverse Current	I _{RRM}	1	

Newark.com/multicomp-pro
Farnell.com/multicomp-pro
Element14.com/multicomp-pro

multicomp^{PRO}

Schottky Barrier Rectifier

1A High Voltage

multicomp PRO

Thermal Characteristics:

Characteristic	Symbol	Value	Unit
Typical Thermal Resistance Junction to Terminal (Note 1)	$R_{\theta JT}$	25	$^{\circ}C/W$
Operating and Storage Temperature Range	T_J, T_{STG}	-65 to +150	$^{\circ}C$

Electrical Characteristics: @ $T_A = 25^{\circ}C$ unless otherwise specified

Characteristic	Symbol	Min	Typ	Max	Unit	Test Condition
Forward Voltage Drop	V_F	-	-	0.79 0.69	V	$I_F = 1A, T_A = +25^{\circ}C$ $I_F = 1A, T_A = +100^{\circ}C$
Leakage Current (Note 2)	I_R	-	-	0.5 5	mA	@ Rated $V_R, T_A = +25^{\circ}C$ @ Rated $V_R, T_A = +100^{\circ}C$
Total Capacitance	C_T	-	-	80	pF	$V_R = 4V, f = 1MHz$

Notes: 1. Valid provided that terminals are kept at ambient temperature.
2. Short duration pulse test used to minimize self-heating effect.

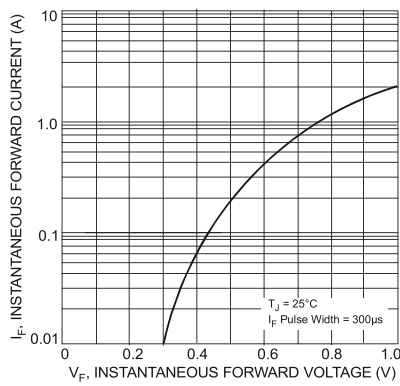


Fig. 1 Typical Forward Characteristics

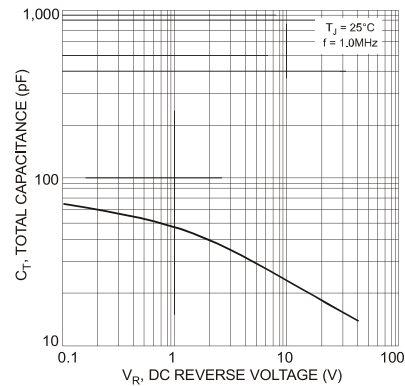


Fig. 2 Total Capacitance vs. Reverse Voltage

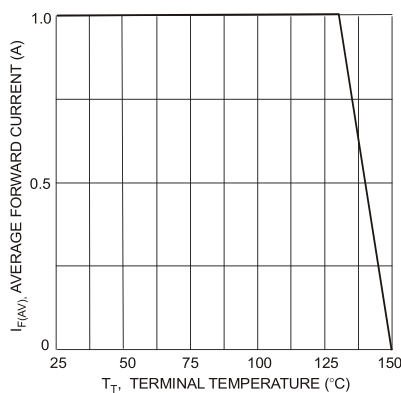


Fig. 3 Forward Current Derating Curve

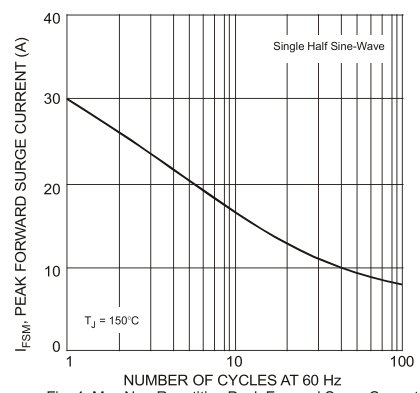


Fig. 4 Max Non-Repetitive Peak Forward Surge Current

Newark.com/multicomp-pro
Farnell.com/multicomp-pro
Element14.com/multicomp-pro

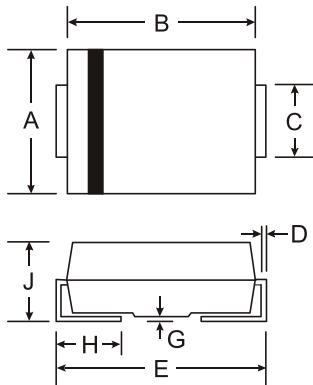
multicomp PRO

Schottky Barrier Rectifier

1A High Voltage

multicomp PRO

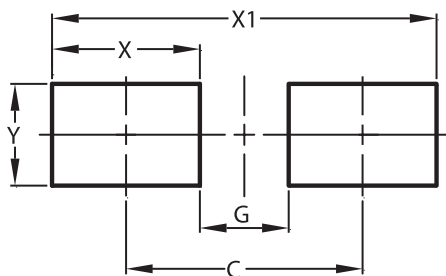
Package Outline Dimensions:



Dimensions	Min	Max
A	3.3	3.94
B	4.06	4.57
C	1.96	2.21
D	0.15	0.31
E	5	5.59
G	0.5	0.2
H	0.76	1.52
J	2	2.5

Dimensions : Millimetres

Suggested Pad Layout:



Dimensions	Value
C	4.3mm
G	1.8mm
X	2.5mm
X1	6.8mm
Y	2.3mm

Part Number Table

Description	Part Number
1A High Voltage Schottky Barrier Rectifier	B1100-13-F

Important Notice : This data sheet and its contents (the "Information") belong to the members of the AVNET group of companies (the "Group") or are licensed to it. No licence is granted for the use of it other than for information purposes in connection with the products to which it relates. No licence of any intellectual property rights is granted. The Information is subject to change without notice and replaces all data sheets previously supplied. The Information supplied is believed to be accurate but the Group assumes no responsibility for its accuracy or completeness, any error in or omission from it or for any use made of it. Users of this data sheet should check for themselves the Information and the suitability of the products for their purpose and not make any assumptions based on information included or omitted. Liability for loss or damage resulting from any reliance on the Information or use of it (including liability resulting from negligence or where the Group was aware of the possibility of such loss or damage arising) is excluded. This will not operate to limit or restrict the Group's liability for death or personal injury resulting from its negligence. Multicomp Pro is the registered trademark of Premier Farnell Limited 2019.

Newark.com/multicomp-pro
 Farnell.com/multicomp-pro
 Element14.com/multicomp-pro

multicomp PRO