

# Datasheet

## Feed Through Connectors

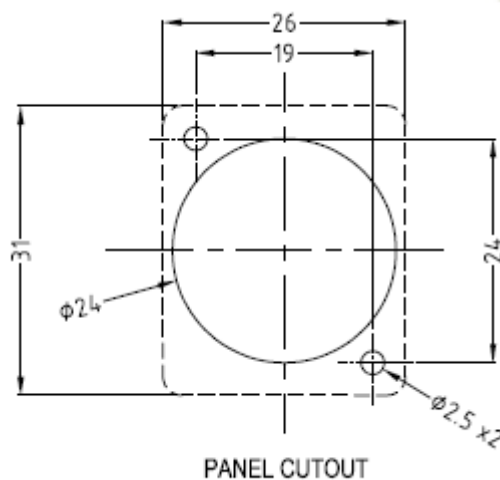
RS Stock number 874-1190



### Description:

All fit within a standard XLR panel cut out, and use common cabling for front and back connections. No soldering, no punch terminations, just use the standard cable for that particular connector style. Mount from the front or back, low rear profile accommodates the tightest “behind the panel” spaces. Available in a wide variety of styles.

Unit: mm





**Part No.**  
8741188  
8741232

**Description**  
HDMI A Female to HDMI A, Gold Plated, CSK hole.  
As above with Plain hole.



**Part No.**  
8741197  
8741235

**Description**  
USB 3.0 A to USB 3.0 A, Nickel Plated, CSK hole.  
As above with Plain hole



**Part No.**  
8741190  
8741239

**Description**  
USB 3.0 B to USB 3.0 A, Nickel Plated, CSK hole.  
As above with Plain hole



**Part No.**  
8741194  
8741248

**Description**  
USB 2.0 B to USB 2.0 A, Nickel Plated, CSK hole.  
As above with Plain hole



**Part No.**  
8741204  
8741241

**Description**  
USB 2.0 A to USB 2.0 A, Nickel Plated, CSK hole.  
As above with Plain hole



**Part No.**  
8741207  
8741245

**Description**  
LC Duplex SM adaptor, Black, CSK Hole  
As above with Plain hole



**Part No.**  
8741201  
8741254

**Description**  
LC Duplex MM adaptor, Black, CSK Hole  
As above with Plain hole



**Part No.**  
8741210  
8741257

**Description**  
SC Simplex SM adaptor, Black, CSK Hole  
As above with Plain hole



**Part No.**  
8741213  
8741251

**Description**  
SC Simplex MM adaptor, Black, CSK Hole  
As above with Plain hole



**Part No.**  
8741217  
8741260

**Description**  
FTP Cat5e RJ45-RJ45, Shielded, CSK Hole  
As above with Plain hole



**Part No.**  
8741226  
8741263

**Description**  
UTP Cat5e RJ45-RJ45, CSK Hole  
As above with Plain hole



**Part No.**  
8741229  
8741267

**Description**  
FTP Cat6 RJ45-RJ45, Shielded, CSK Hole  
As above with Plain hole



**Part No.**  
8741223  
8741276

**Description**  
UTP Cat6 RJ45-RJ45, CSK Hole  
As above with Plain hole