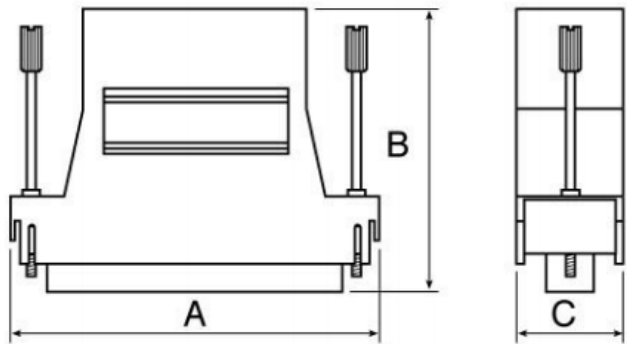
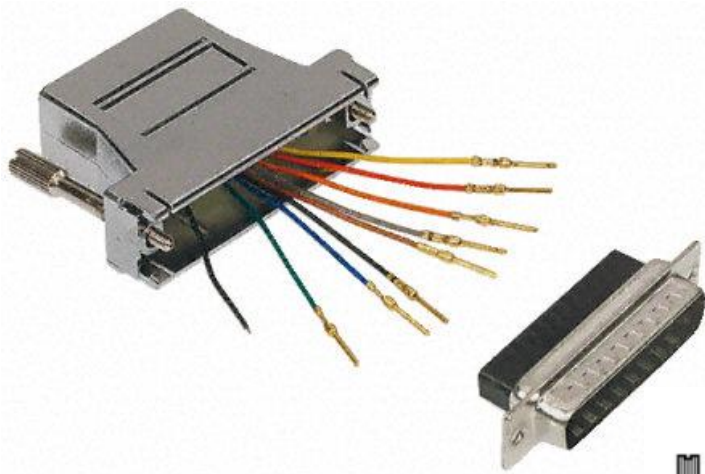


# Datasheet

## 25way modular RJ45 jack adaptor, Dsocket

RS Stock 370-5203



### Specifications

#### Dimensions (in mm) - 9, 15 & 25 Ways

	9	15	25
<b>A</b>	32	49	15.5
<b>B</b>	41	39	15.5
<b>C</b>	55	39	15.5

#### Pin Configurations

9/25 Black	9/15/25 Grey	Shielded
1 - Black	1 - Blue	1 - Black
2 - Yellow	2 - Orange	2 - Yellow
3 - Orange	3 - Black	3 - Orange
4 - Red	4 - Red	4 - Red
5 - Green	5 - Green	5 - Green
6 - Brown	6 - Yellow	6 - Brown
7 - Grey	7 - Brown	7 - Grey
8 - Blue	8 - White	8 - Blue
		Drain Wire