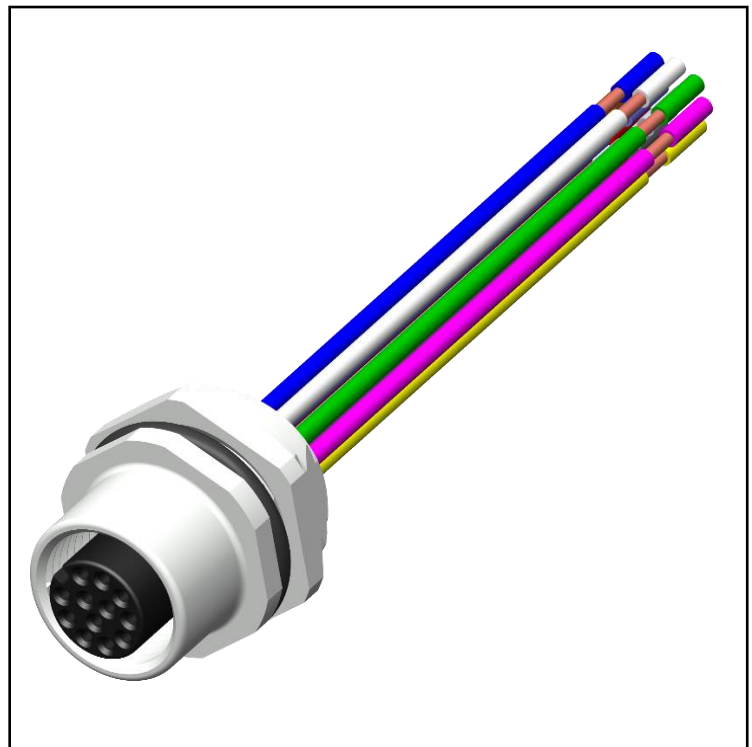


FEATURES

- IP67
- Pre-wired with 500 mm length cable partially stripped cable
- Front/ screw mounting with M16 thread

RS PRO M12 FEMALE FRONT PANEL MOUNT CONNECTOR 12 PIN 16X1.5 mm THREAD WITH 500 mm PVC CABLE

RS Stock No.: 2500734



RS Professionally Approved Products bring to you professional quality parts across all product categories. Our product range has been tested by engineers and provides a comparable quality to the leading brands without paying a premium price.

Product Description

ATTRIBUTE 1

M12 Connector M16 Clamp Nut

A series of RS Pro M12 panel-mounted connectors. Each connector within this range is supplied with a partially stripped 500 mm length cable, making it perfect for your application. With IP67 rating and a durable nickel plated brass housing material, each connector is excellent within harsh environments. All models are highly reliable and excellent quality.

Features & Benefits

Contact Plating: Gold plated Supplied with a neoprene O-Ring

Number of poles: 12

Both Female and Male versions available

Applications

The RS PRO series of M12 panel mount connectors are generally used in industrial applications. They are typically used when connecting to sensors and actuators. Some of the most popular areas are

- Instrumentation
- Process control
- Robotics
- Assembly lines
- Factory automation
- Industrial automation

General Specifications

Rated Operational Voltage	30 V
Current Rating	1.5A
Insulation Resistance	>= 100 MΩ
Temperature Range	-25°C ... +75°C
Mounting	Front (M16 x 1.5)
Coding	A-Coded

Material Specifications

Housing Material	Brass Ni Plated
Contact	Cu-Zn
Contact Plating	Gold Flash
Contact Carrier	Nylon 66

RS PRO M12 PANEL MOUNT CONNECTOR



O-Ring	Neoprene
Pole	12
Clamp Nut	M16 x 1.5

Cable Specifications

Cable Length-L	500 mm
Cable Type	12 Core PVC Cable
Cross Section of Wire	0.14 sq.mm
Termination	Partially Stripped

Protection Category

Degree of Protection	IP67
----------------------	------

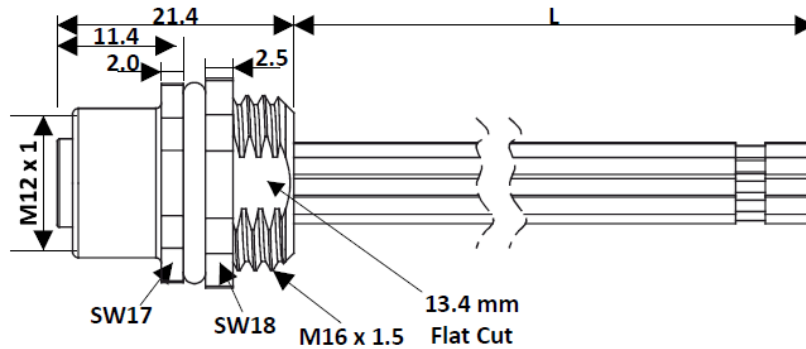
Additional Information

Custom Tariff Number	85369090
----------------------	----------

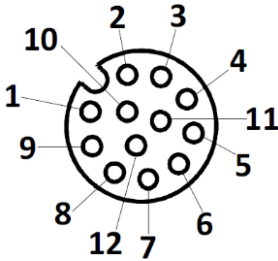
Approvals

Standards Met	IEC 61076-2-101
---------------	-----------------

Connection Diagrams / Assembly Diagrams / Illustrations / Accessories



All Dimensions are in mm.



Pin No.	Description
1	Brown
2	Blue
3	White
4	Green
5	Pink
6	Yellow
7	Black
8	Grey
9	Red
10	Violet
11	Grey / Pink
12	Red / Blue

Panel Cutout

