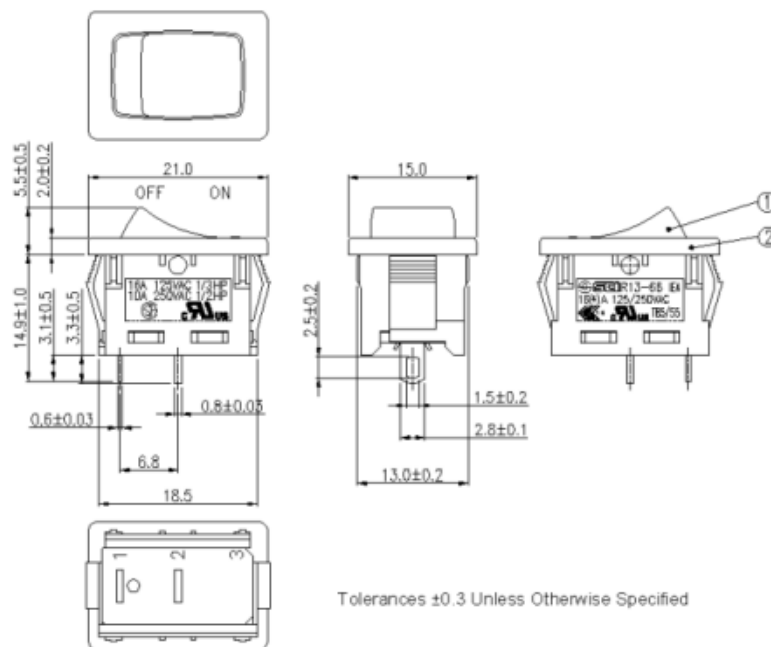


# Datasheet

## Black SPST Rocker Switch, On-Off, 16 A@ 125 V ac +85°C -20°C 13mm 19.8mm

RS Stock number [419-726](#)

### Dimensions: (mm)



### Specifications

- Rating: 16A 125VAC 1/3HP  
10A 250VAC 1/2HP
- Contact Resistance: 50m ohm max
- Insulation Resistance: DC 500V 100M ohm min.
- Dielectric Strength: AC 1500V 1 min
- Circuit: 2P SPST on-off
- Operation Temperature: -25degC ~ 85degC

### Materials

- Frame: Black , Nylon-66 (94V-2)
- Actuator: Black, Nylon-66 (94V-2)