

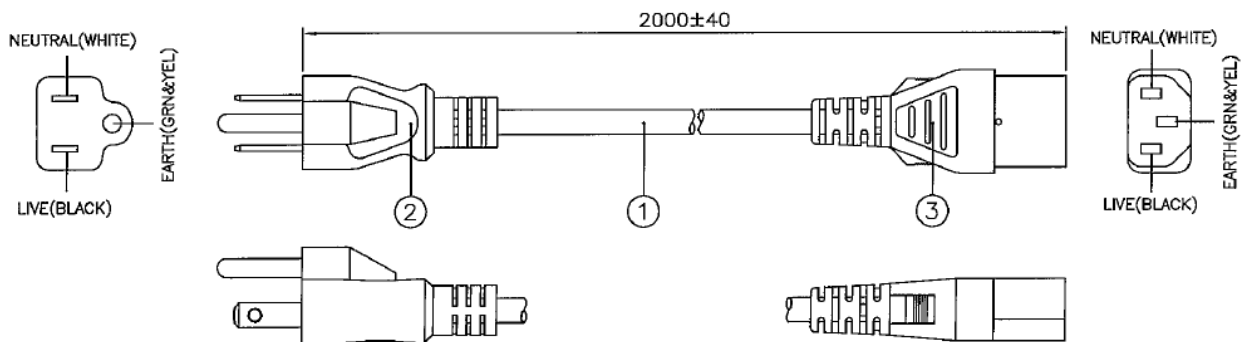
Datasheet

Japanese Power Supply Cord Set

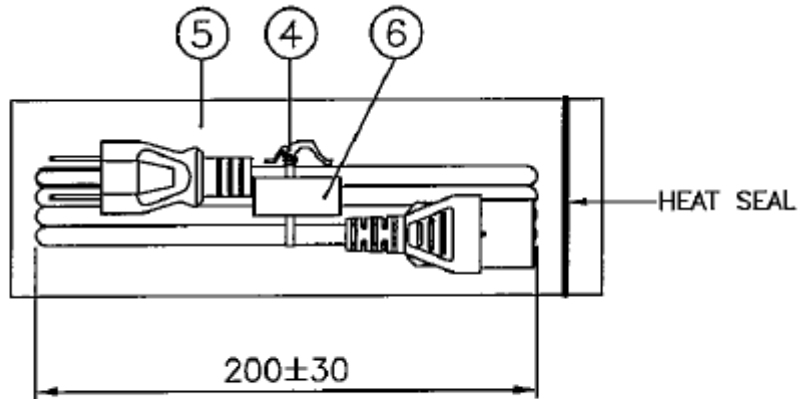
RS Stock number 909-2165

Note:

- All dimensions in mm.
- The cord shall comply with JIS C 3306.
- The molded plug shall comply with JIS C8303 and tested to JIS C8306.
- The molded connector shall comply with JIS C8358 and tested to JIS C8306.



S/N	Description	Item Number	Qty.
1	VCTF 3x0.75 BWGY blk LF (PSE)	1513108	1
2	Molded Plug M744 (7A 125V)	M744	1
	IP40G NL7976B blk	4100017	-
3	Molded Connector V1625 (7A 125V)	V1825	1
	IP60G NL7976B blk	4100115	-



APPROVED SOURCE FOR CABLE

1. BAO HING(SHENZHEN).
2. TA HSING(SHENZHEN).

S/N	Description	Item Number	Qty.
4	6" PE TIE blk	6310056	1
5	Bag LDPE 283x114x0.05	904028	1
6	Printed Label	VL-0538	1