

Datasheet

SPST Rocker Switch

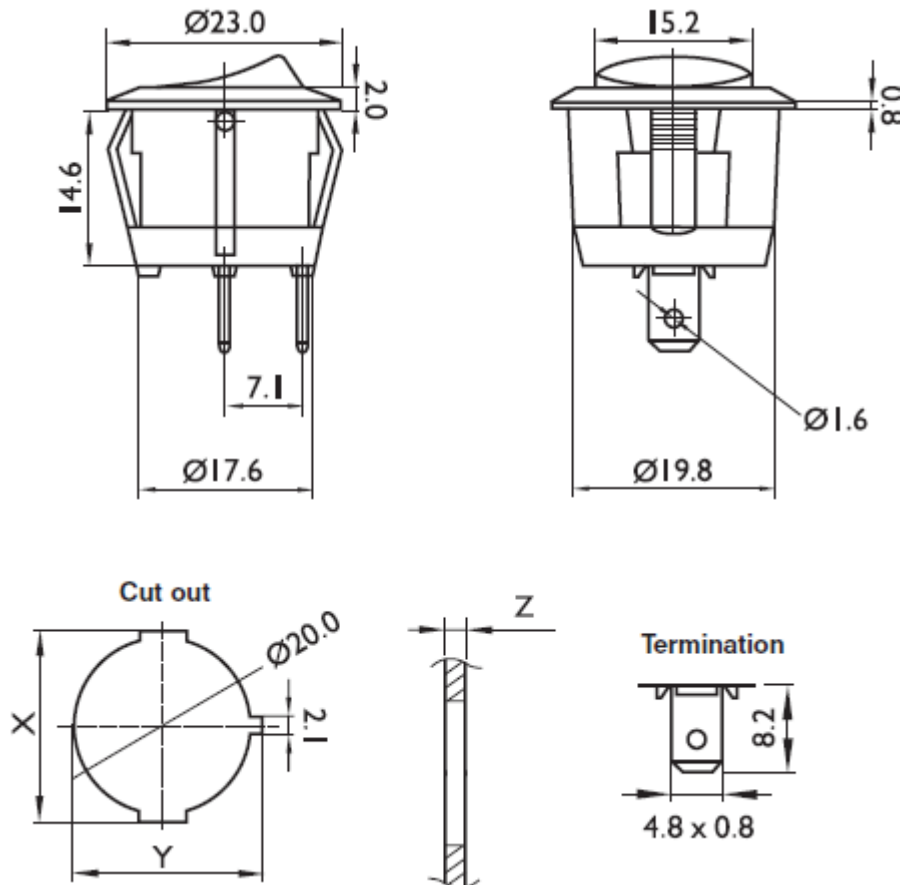
RS Stock number 793-2572



Specifications:

Rating:	6(2)A/250VAC T125/55 1E4 10A 125VAC		
Colour:	White body		
Switch action:	SP On-off latching		
Maximum contact resistance:	30MΩ		
Minimum insulation resistance:	500VDC 100MΩ		
Electrical life:	10,000 cycles		
Operation force:	300-600gf		
Operating temperature:	-25°C~125°C		
Cut out	Z	Y	X
(diagram opposite)	0.75-1.25	20.8	20.2
	1.25-2.0	20.8	20.4
	2.0-3.0	20.8	20.6
Approval VDE, UL:	Double pole versions available		

Dimensions - mm



Features:

- RoHS compliant
- Housing material: Nylon #66 UL94V-2
- Rocker material: Nylon #66 UL94V-2
- Terminal material: Copper alloy SN or AG plated
- Contact material: AgNi (15) alloy