



EN

Datasheet

RS PRO NYLON-INSULATED CORD END TERMINALS (FERRULES)

Stock number: **2069703**

MAXIMUM ELECTRIC CURRENT:

A.W.G.	2
AMP.	170

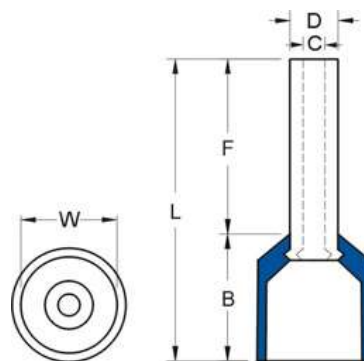
MAXIMUM ELECTRICAL RATING: 105°C 600 VOLTS MAX.

TERMINAL MATERIAL: COPPER TUBE

SURFACE TREATMENT: TIN PLATE

INSULATION MATERIAL: NYLON

INSULATION COLOR: BEIGE



WIRE RANGE A.W.G. mm ²	DIMENSION inch(mm)					
	F	L	W	B	D	C
2 A.W.G. 35 mm ²	0.709 18	1.181 30	0.5 12.7	0.551 14	0.343 8.700	0.327 8.3