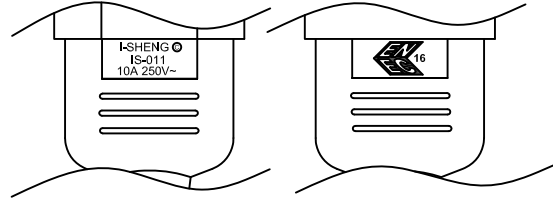
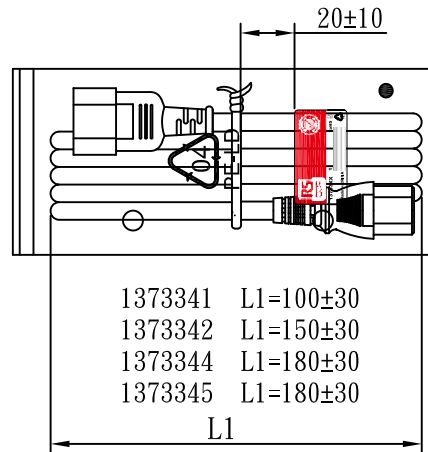
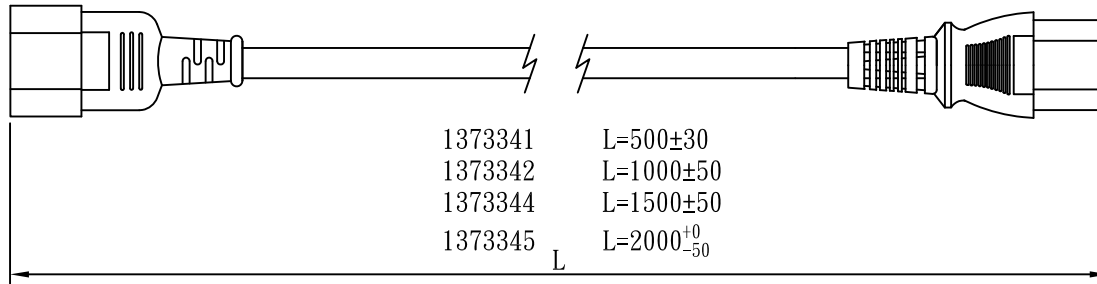
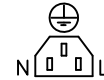
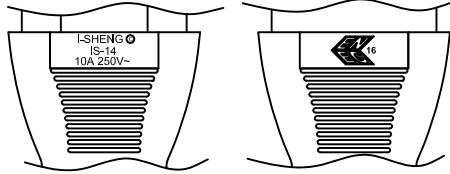


MARKING:



MARKING:



WIRING COLOR:

E: Yellow/Green
 N: Blue
 L: Brown

LENGED ON CORD : (E04-14)

3 <VDE> KEMA-KEUR <CCC> <Eurasian Conformity Marking> <CEC> CE BEC 809 <NF-USE 1346>
 IEMMEQU H05VV-F 3G 0.75mm² 300/500V -LF- CE

No	BOM ITEM	Q' TY	P/N
1	KPR-11 TERMINAL	3 pcs	BBN11000
2	IS-011 DUST COVER(RED)	1 pcs	MP0110XF
3	IS-011 INNER BODY	1 pcs	MI011000
4	PVC 45P (SA87, IS-011)	18 g	RPP045XF
5	KPR-14 TERMINAL	3 pcs	BBB14000
6	IS-14 INNER BODY	1 set	MI014000
7	PVC 45P (SA87, IS-14)	22 g	RPP045XF
8	PE TIE (WHITE , 6 inch)	1 pcs	KBW10006
9	PE BAG(120*260)	1 pcs	KPR10026
10	LABEL(45*25)	1 pcs	

NOTE:1. CORD 128
 2. CONTENT 137334X



CABLE	H05VV-F 3G 0.75 DENT PRINT CT-XF(RED)				
PLUG	IS-011 + IS-14	LENGTH	L	UNIT	mm
CLIENT	NAME	First connectivity	N/W	UNIT	kg
	P/N	137334X	SG DWG	SR-172524-4	VER. A

Design. by 楊 東 17.07.17

Review. by 楊望春 17.07.17

Approval. by 朱曉玲 17.07.17

X14 JB3E16 XF XXX 02