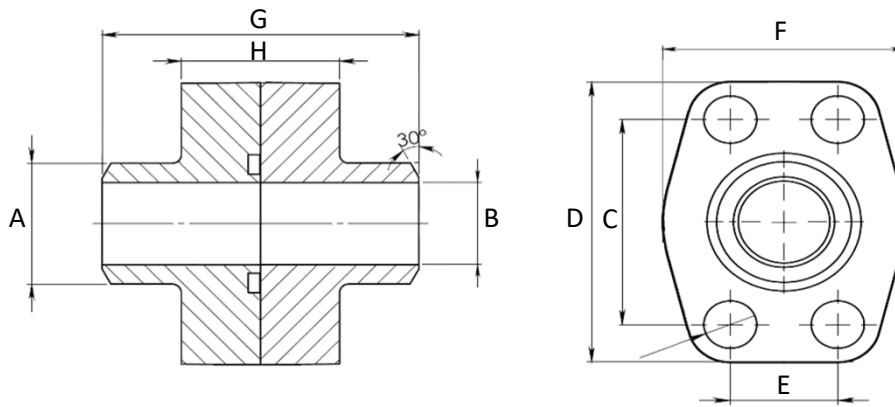


WELD ON DOUBLE FLANGES SCH160



Series 3000

WP (Bar)	Size	Type	Dimensions								
			A	B	C	D	E	F	G	H	Screws
345	1/2"	DFS080STB11	21.5	11.8	38.10	54	17.48	46	72	32	M8 x 30
345	3/4"	DFS100STB15	28.0	15.6	47.63	65	22.23	50	72	36	M10 x 35
345	1"	DFS102STB20	34.0	20.7	52.37	70	26.19	55	76	36	M10 x 35
276	1 1/4"	DFS104STB29	42.8	29.5	58.72	79	30.18	68	82	42	M10 x 40
207	1 1/2"	DFS106STB34	48.6	34.0	69.85	93	35.71	78	90	50	M12 x 45
207	2"	DFS108STB42	61.0	42.8	77.77	102	42.88	90	90	50	M12 x 45
172	2 1/2"	DFS110STB54	77.0	54.0	88.90	114	50.80	105	100	50	M12 x 45
138	3"	DFS112STB67	92.0	67.7	106.38	134	61.93	124	100	54	M16 x 50
34	4"	DFS116STB87	115.5	87.3	130.18	162	77.77	146	96	54	M16 x 50
34	5"	DFS118STB109	141.3	109.5	152.40	184	92.08	180	100	56	M16 x 50

Series 6000

WP (Bar)	Size	Type	Dimensions								
			A	B	C	D	E	F	G	H	Screws
414	1/2"	DFS401ST012B11	21.5	11.8	40.49	54	18.24	46	72	32	M8 x 30
414	3/4"	DFS402STB15	28.0	15.6	50.80	71	23.80	55	70	42	M10 x 40
414	1"	DFS403STB20	34.0	20.7	57.15	81	27.76	65	82	42	M12 x 45
414	1 1/4"	DFS404STB29	42.8	29.5	66.68	95	31.75	78	88	50	M14 x 45
414	1 1/2"	DFS405STB34	48.6	34.0	79.38	112	36.50	94	100	60	M16 x 50
414	2"	DFS406STB42	61.0	42.8	96.82	134	44.45	114	130	74	M20 x 70
350	2 1/2"	DFS507STB54	76.6	54.0	123.80	180	58.70	152	160	90	M24 x 80
350	3"	DFS508STB67	90.0	67.7	152.40	208	71.40	178	180	110	M30 x 100

Designation for Order:

Double Flanges

(Flat side & Oring side)

ST52.3	DFS...STB
SS316	DFX...STB

Counter-Flanges

(Flat side)

ST52.3	GFS...STB
SS316	GFX...STB

Flanges

(Oring side)

ST52.3	AFS...STB
SS316	AFX...STB