

FEATURES

- **Application : Gas, Oil, Water, Drinking Water**
- **Handle clearly shows ball position**
- **Silicone-free lubricant on all seals**
- **Chrome plated brass ball for longer life**
- **No metal-to-metal moving parts**

RS PRO Brass High Pressure Ball Valve 1/4 in BSPP 2 Way

RS Stock No.: 733-5277



RS Professionally Approved Products bring to you professional quality parts across all product categories. Our product range has been tested by engineers and provides a comparable quality to the leading brands without paying a premium price.

Product Description

RS PRO range of brass manual ball valves. Manual ball valves are used to operate shut off valves which control water flow and pressure. These quarter turn brass full bore ball valves have a T handle and are suitable for high temperature hot water services in industrial applications.

Available in a variety of sizes:

733-5277 - T handle ball valve 1/4 inch F-F

733-5271 - T handle ball valve 3/8 inch F-F

733-5280 - T handle ball valve 1/2 inch F-F

733-5283 - T handle ball valve 3/4 inch F-F

733-5287 - T handle ball valve 1 inch F-F

General Specifications

Threaded Connection	1/4 in BSPP
Attachment Type	Threaded
Body Material	Brass
Thread Size	1/4in
Safe For Use With	Gas
Type	2 Way
Application	Heating systems; Water treatment; Liquid flow control

Mechanical Specifications

Connection Size	8mm
------------------------	-----

Operation Environment Specifications

Working Temperature	-20°C to 170°C
Maximum Working Pressure	32 bar

Approvals

Compliance/Certifications

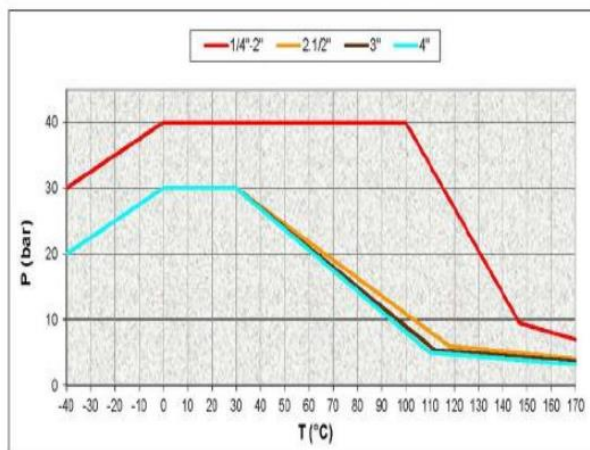
DVGW (Germany), SVGW (Switzerland), BSI (UK), Factory Mutual (USA), The Australian Gas Association (Australia), GOST-R (Russia), Expert Conclusion (Russia), EAC Conforming (Russia), Suruhanjaya Tenaga (Malaysia), UkrSepro (Ukraine), RoHS Compliant



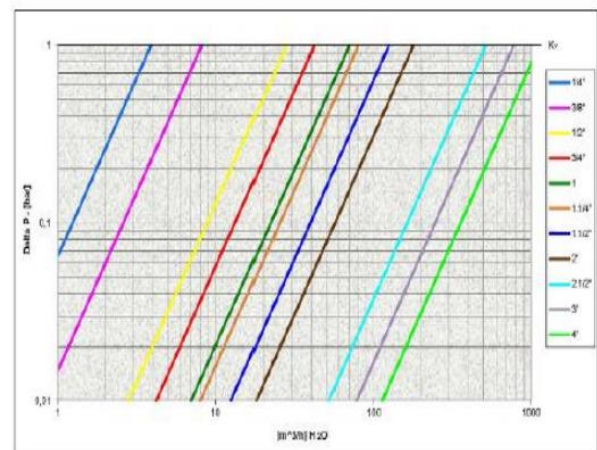
PART DESCRIPTION		Q.TY	MATERIAL
1	Nickel plated body (external nickel plated, unplated inside up to 2")	1	CW617N
2	Seat	2	PTFE
3	Chrome plated ball	1	CW617N
4	Nickel plated end cap (external nickel plated, unplated inside up to 2")	1	CW617N
5	Nickel plated stem O-ring design	1	CW617N
6	Geomet® nut	1	CB4FF
7	O-Ring	2	FPM
8	Red PVC coated Geomet® steel handle	1	DD11

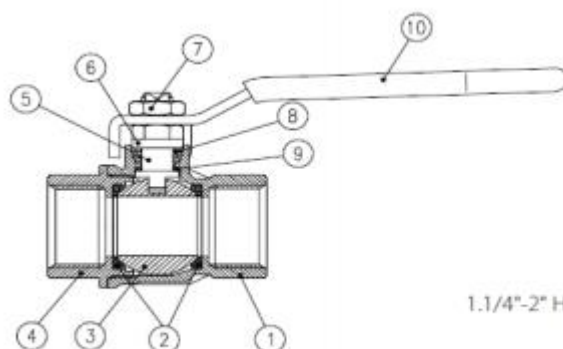
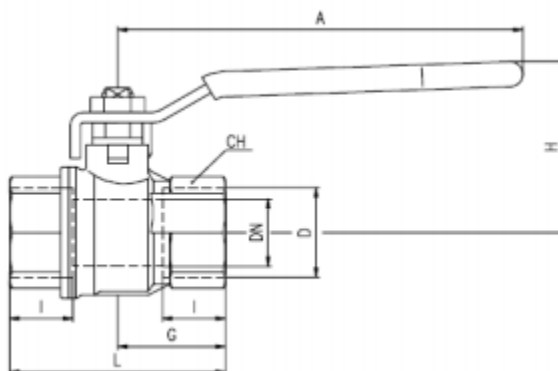
Code	S90B00	S90C00	S90D00	S90E00	S90F00	S90G00	S90H00	S90I00	S90L00	S90M00	S90N00
D (inch)	1/4	3/8	1/2	3/4	1	1 1/4	1 1/2	2	2 1/2	3	4
DN (mm)	8	10	15	20	25	32	40	50	65	80	100
I (mm)	9	9	11	12	14	15	17	19	22	25	29
L (mm)	39	39	50	54	67	77	90	106	136	157	191
G (mm)	19.5	19.5	25	27	33.5	38.5	45	53	68	79.5	95.5
A (mm)	82	82	100	120	120	158	158	158	255	255	255
H (mm)	38	38	43	50	54	73	79	86	132	140	154
CH (mm)	20	20	25	31	38	48	54	66	85	99	125

Pressure-Temperature Chart



Pressure Drop Chart





1.1/4"-2" Hollow ball