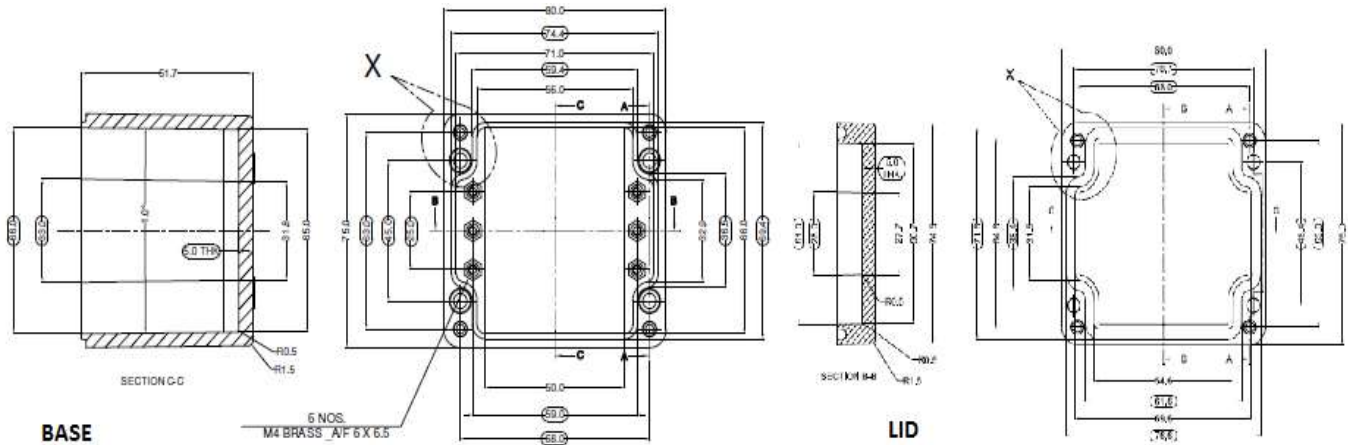


Datasheet

ENGLISH

RS PRO Grey Fibreglass Reinforced Polyester Enclosure

Stock No: 190-4276



PRODUCT SPECIFICATION - STANDARD	
Dim (LxWxH):	80 x 75 x 75
Model No:	
Order No :	



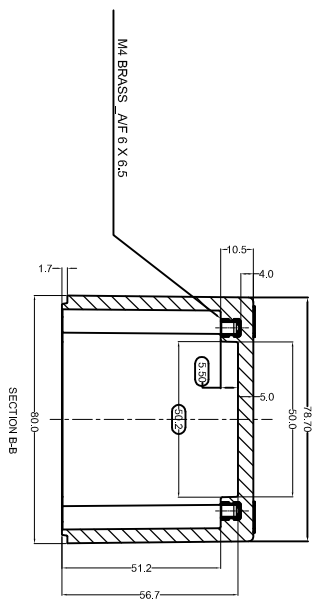
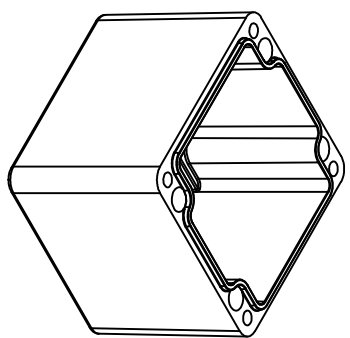
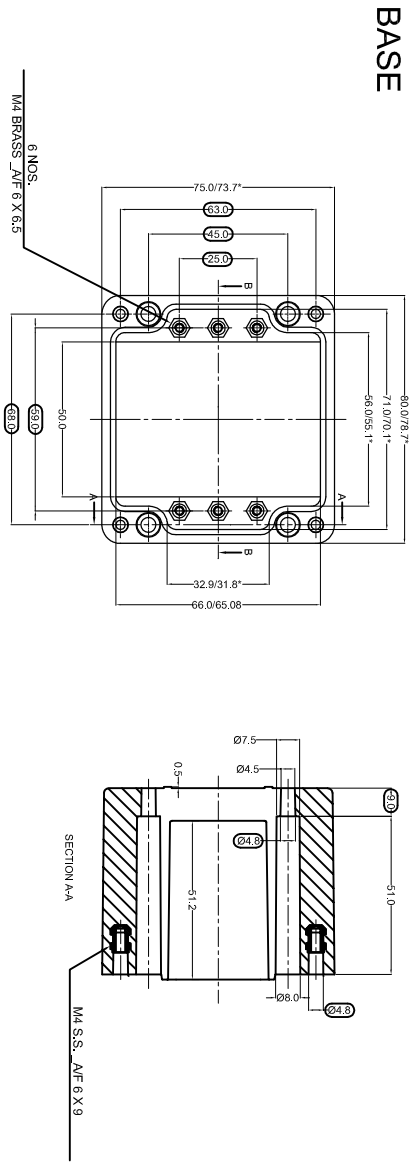
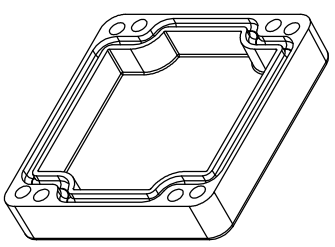
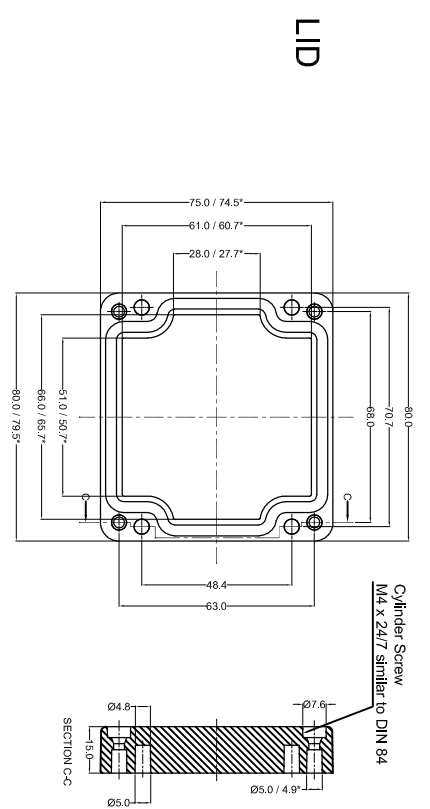
TECHNICAL SPECIFICATION	GREY	BLACK
Colour	RAL 7000	Similar to RAL 9011
Material	Glass Fiber Reinforced Polyester	Glass Reinforced Polyester - Graphite Added
Gasket:	Neoprene	Silicone
Surface Resistance	> 10 ¹² Ohm	< 10 ⁹ Ohm
Service Temperature	- 40°C to +80°C	-60°C to +110°C
Lid Screw	Captive Screw - SS1.4301 (A2) - M4	
Tightening Torque:	1 to 2 Nm	
Protection	IP 66, EN 60529	
Impact Strength	Impact Energy > 7 Joules, EN 60079	
Flammability	Self Extinguishing, UL 94 V0	
Process Control System	ISO 9001 - 2015, IEC 80079 - 34 - 2011	

AVAILABLE ON DEMAND	
DIN Rail	TS15
Mounting Plate	Yes
External Mounting Brackets	Yes
Hinges	No
Alter Lid Screw	Yes
Sealable Lid screw	Yes



* = Conical form tapering downward.
 Untoleranced dimensions per DIN 16901-140

OPTIONAL ACCESSORIES		
PART NAME	QTY.	AVAILABILITY
MOUNTING PLATE	1	Y
EXTERNAL HINGE	-	N
INTERNAL HINGE	-	N
MOUNTING BRACKETS	4	Y
NEOPRENE/SILICON GASKET	1	Y
DIN RAIL TS15	1	Y
DIN RAIL TS35	-	N



Sr.No.	Drawing no.	RM Grade	Finish
2		GRP-30	BLACK RAL9011
1		GRP-23	GREY RAL7000

NO. REV. NO.	DESCRIPTION	DATE	DRAWN	CHECKED

QUANTITY	MATERIAL :-	MACH. NAME	DATE	SIGN	NAME
	GRP		09/01/14		RS PRO DESIGN
		TITLE :-	09/01/14		MANOJ DRAVIN
		GRP JUNCTION BOX			PAYAN CHECKED
		75 x 80 x 75			M.S. APPROVED

TOLERANCE	WEIGHT	FINISH	SCALE	PARTNO.	DRG. NO.
±0.5 DIMENSIONS			1:1		
±0.2 HOLES					
±1.0° ANGLES	ALL DIMENSIONS ARE IN MM				



rspro.com

