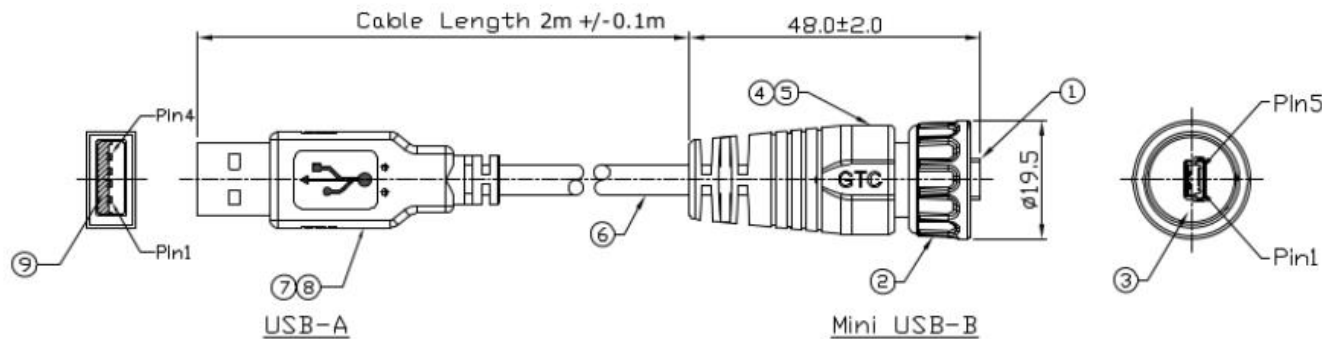




Notes: (unless otherwise Specified)

1. Waterproof Rate : IP68.
2. RoHS Compliance.

REV	ECN#	DESCRIPTION OF REVISION	DRAW BY DATE	CHECK BY DATE	APPROVE BY DATE
A0		Mass Production	Vicky 12/09/10	Ray 12/09/10	Ray 12/09/10
A1	CH-101001	Redraw	Joyce 10/03/11	Lucas 10/03/11	Ray 10/03/11



9	USB-A Plug	Housing:Thermal Plastic,Color:Black Contacts:Copper Alloy,Finish:Ni Plated Shell:Cold Roll Steel,Finish:Ni Plated	1
8	Over Mold	PVC Color: Black	1
7	Inner Mold	Thermal Plastic Color: White Or Black	1
6	Cable	UL2725 1P*28AWG+2C*24AWG+1A/My+D+B OD=5.0mm, Color: Black	1
5	Over Mold	PVC Color: Black	1
4	Inner Mold	Thermal Plastic Color: Black	1
3	Rubber Pad	Silicone Color: Black	1
2	Screw Nut	Zn Alloy Finish: Ni Plated	1
1	Mini USB-B Plug	Housing:Thermal Plastic,Color:Black Contacts:Copper Alloy,Finish:Ni Plated Shell:Cold Roll Steel,Finish:Ni Plated	1
Item	Part Name	Material / Finish	Qty

1	Red	24AWG	1
2	White	28AWG	2
3	Green	28AWG	3
	N/C		4
4	Black	24AWG	5
Shell	Drain		Shell

Wiring Diagram

Mating Parts:
122-3025
122-3026
122-3027

TITLE						REV.
Mini USB-B Metal C2 Cable End With USB-A Plug						A1
 THIRD ANGLE PROJECTION		B	1:1	Vicky 12/09/10	Ray 12/09/10	Ray 12/09/10
 ISO NET SCALE DRAWINGS		SIZE	SCALE	DRAW / DATE	CHECK / DATE	APPROVE / DATE
		TOLERANCES		UNIT		SHEET

RS Stock No
122-3028