



# Datasheet

## RS PRO Two-Part Enclosures

Stock number: 2006703

EN



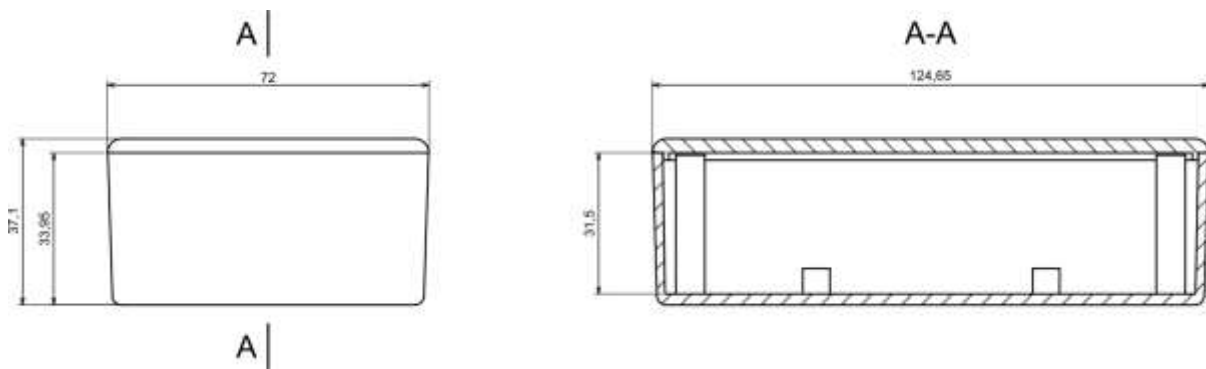
## Product Details

Two-part enclosure is made of light gray ABS. The enclosure provides IP54 and IK06 rating it is ideal for applications that doesn't require hermetic seal.

## Features and Benefits

- Made of ABS
- Available in light gray color
- Protection against liquids and solid objects: IP54 rating
- Shock protection level: IK06 rating
- Supplied with screws for assembly

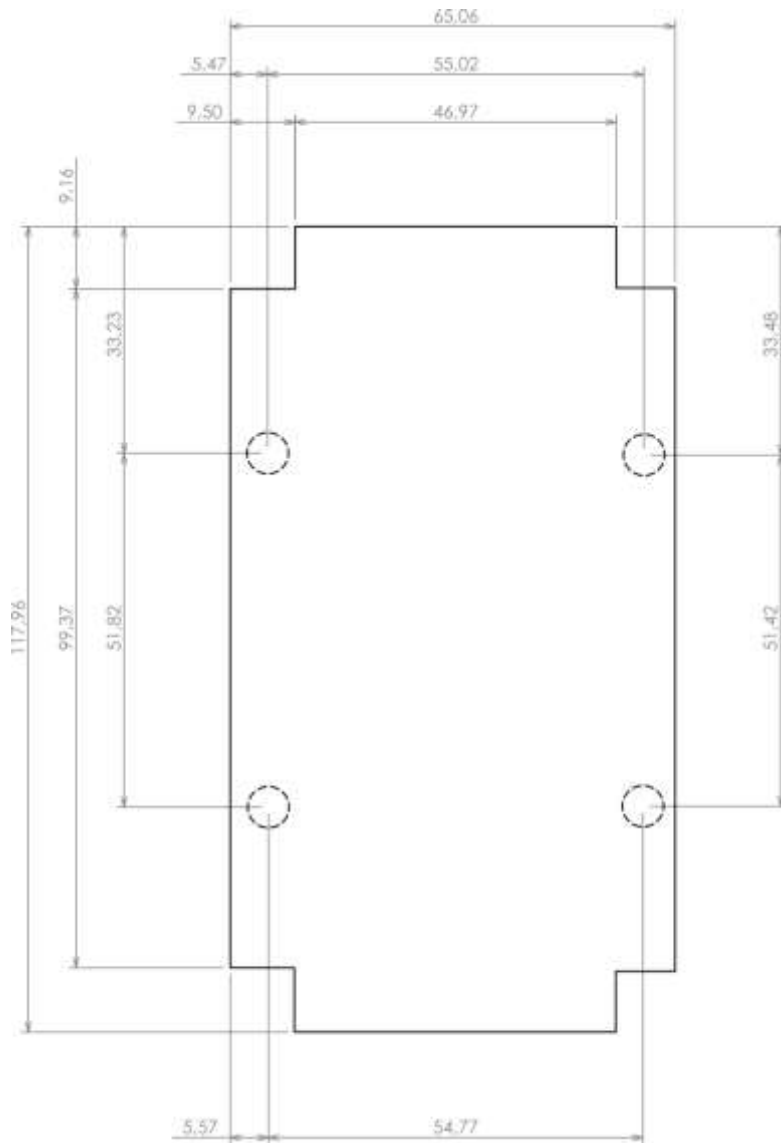
[rspro.com](https://rspro.com)



Category	Two-part enclosures
Type	Full
Material	ABS
Variant	Without gasket
Height	38.0 mm
Width	71.5 mm
Length	124.0 mm
Color	Light gray
Protection level	IP54
Shock protection level	IK06
Standards Met	RoHS Compliant
Accessories	Screw 3/16: 4.0 pcs
Certificate number	CE/031/18



## Max PCB size



Dashed line shows outline of the mounting boss under PCB board  
Recommended mounting holes diameter  $\varnothing 3,5\text{mm}$   
All dimensions are given within  $\pm 0,5\text{mm}$  tolerance