

1

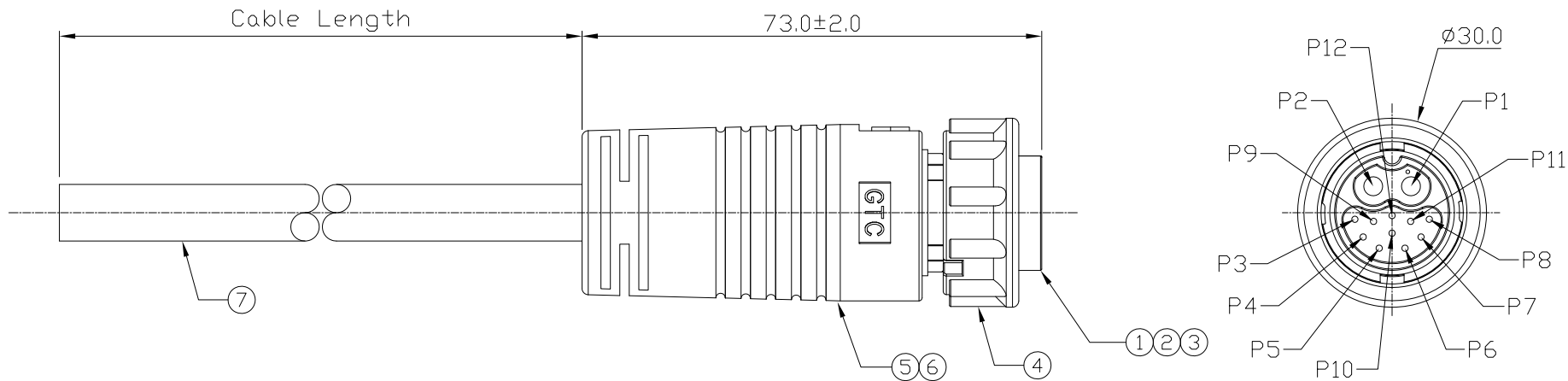
2

3

4

REV	ECN#	DESCRIPTION OF REVISION	DRAW BY DATE	CHECK BY DATE	APPROVE BY DATE
02			Lucas 11/18/15	Ray 11/18/15	Ray 11/18/15

Notes: (Unless Otherwise Specified)
 1. Waterproof Rate : IP67.
 2. RoHS Compliant.



Item	Part Name	Material / Finish	Q'ty
7	Cable	UL2464 10C*24AWG+A+2C*16AWG, DD=9.0mm Color: Black	1
6	Over Mold	PVC Color: Black	1
5	Inner Mold	Thermoplastic Color: White Or Black	1
4	Lock Nut	Thermoplastic Color: Black	1
3	O-ring	Silicone Color: Red	1
2	Contacts	Copper Alloy Finish: Au Plated	12
1	Housing	Thermoplastic Color: Black	1

1	Black/White
2	Black/Red
3	Black
4	Brown
5	Red
6	Orange
7	Yellow
8	Green
9	Blue
10	Purple
11	Gray
12	White

Wiring Diagram

Cable Length	2000 mm	±100
--------------	---------	------

TITLE Hybrid C4 25A+5A 2P+10P Cable End Male Lock (Code A)						Mating Part No. 179-7944		REV. 02	
THIRD ANGLE PROJECTION	SIZE B	SCALE 1:1	DRAW / DATE Lucas 05/15/14	CHECK / DATE Ray 05/15/14	APPROVE / DATE Ray 05/15/14	TOLERANCES X.X ± 0.5 X.XX ± 0.2		UNIT mm	SHEET 1/1
						ANGLES ± 0.05 ± 1°			

Part No.
179-7947

1

2

3

4