

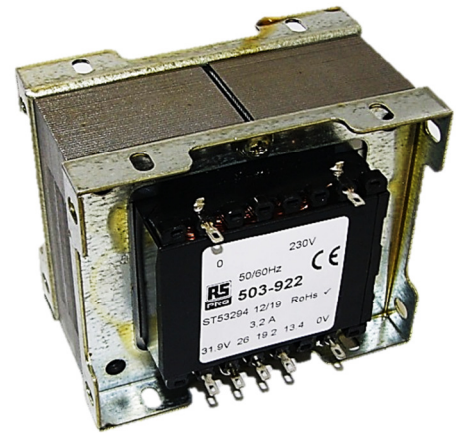
Datasheet

Multi-Tapped Chassis Frame Mount Transformers

RS PRO

The Multi tapped Frame Mount Transformers 100VA to 240VA are high quality isolating transformers designed for use in general applications. The secondary winding gives a wide range of output voltage options. Designed according to the following specifications.

- Low noise laminations
- Full varnish impregnation
- Fully shrouded bobbins
- Multi-hole frame fixing
- Solder tag terminations
- Optional terminal shrouds
- Detailed product specification on permanent label
- High efficiency, low regulation design
- 100% electrical and flash tested

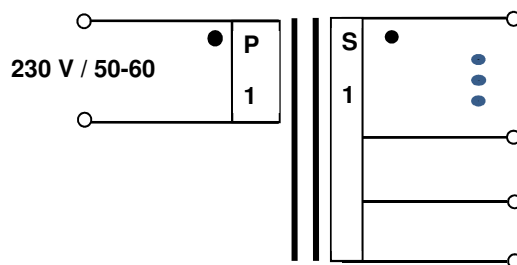


Specifications

Power: 100- 240 VA
 Frequency: 50 / 60 Hz
 Primary: 230 VAC, +/-10%
 Secondary: Se table
 Isolation: 4 kV RMS
 Temp class: Ta (70°) / B
 According to: EN61558-1 and EN61558-2-6
 AS/NZS 61558.1 and AS/NZS 61558.2.6
 IEC 61558-1,
 IEC 61558-2-6



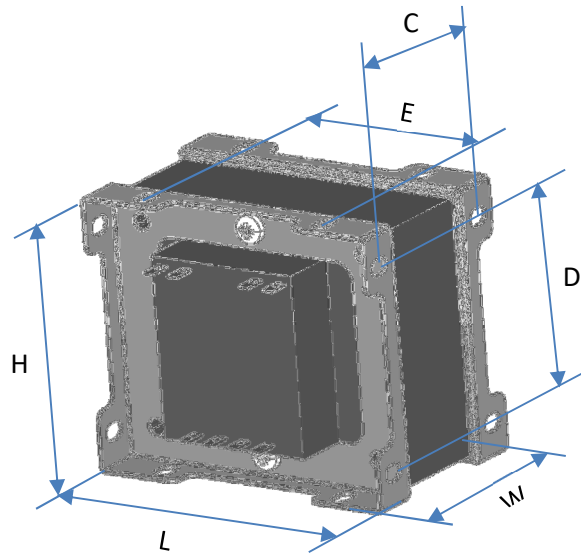
Schematic/connections



Ordering details:

RS Stock number	Power VA	Specification	No-load voltages
503922	102	Chassis mounting Transformer, 0-13.4-19.2-26-31.9V	15-20.5-27.5-34.5V
504000	100	Chassis mounting Transformer, 0-6-9-12-18-24V	6.7-10-13.3-20.1-26.8V
504010	240	Chassis mounting Transformer, 0-4.5-6-9-12-15-18-20-24V	4.7-6.2-9.5-12.4-15.5-19-21-25V

Dimensions and fittings:



RS Stock number	Overall Size L x W x H [mm]	Fixing			Weight [kg]	Efficiency %
		Vertical C x D [mm]	Horizontal C X E (mm)	Slot size		
503922	99 x 76 x 83	54 x 54	54 x 63	4.7 x 7.9	1.98	10
504000	89 x 68 x 75	43.5 x 57	43.5 x 57	4.7 x 7.9	1.6	10
504010	100 x 92 x 82	60 x 56	60 x 72	5.5 x 8.5	2.8	6.5