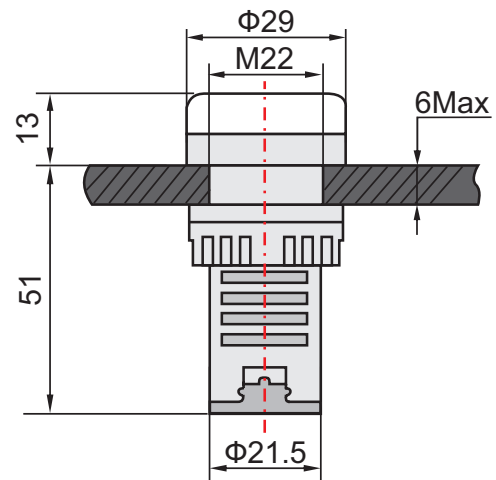


Datasheet

Stock No: 144-1175, 144-1176, 144-1177

RS Pro Red/Green Dual Colour LED Indicators



RS Pro Dual Colour LED Indicators are ideal for providing highly reliable indication with the added benefit of saving space by effectively combining two indicators into one. Fitting in the same 22.5mm cutout this is an easy solution to include extra functionality within existing panels as well as new designs.

Dual Colour Indicator Technical Specification

Voltages Available (V_n)	24Vac/dc (144-1175), 110Vac (144-1176) and 230Vac (144-1177)
Operating Voltage Range	$V_n \pm 20\%$
Frequency (ac)	50 - 60Hz
Insulation Withstand	$\geq 2M\Omega$
Current/Power Consumption	$\leq 20mA$
IP Rating (from front)	IP65
Brightness	40 - 60 cd/m ³
Operational Life	30,000 hours
Temperature Range	-25°C to +55°C
Relative Humidity	$\leq 98\%$
Terminal Type	Captive Screw Clamp