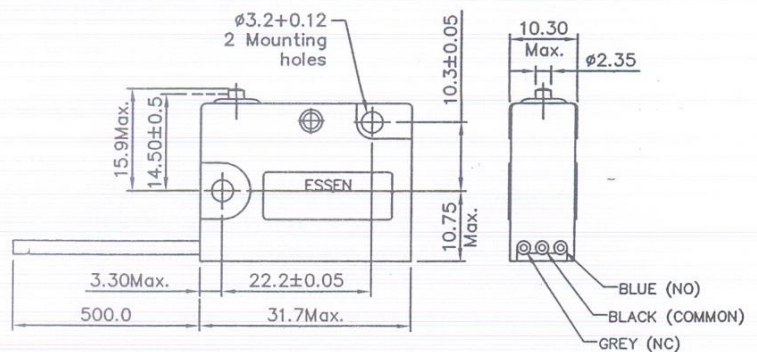


## FEATURES

- SINGLE POLE SWITCHES INCORPORATE A SUB-MINIATURE MECHANISM OF TYPE -V4(MV7).
- SWITCHES ENCLOSED WITH GLASS FIBRE REINFORCED NYLON ENCLOUSER, DULY SEALED.
- CONFORMING TO IP67 PROTECTION.
- CONFORM TO IEC1058-1 STANDARD.
- CE/CSA us APPROVED.

# RS PRO Miniature Micro Switch

RS Stock No.: 797-2542



RS Professionally Approved Products bring to you professional quality parts across all product categories. Our product range has been tested by engineers and provides a comparable quality to the leading brands without paying a premium price.

## Product Description

- *Single pole change over.*
- *Snap action mechanism.*
- *Prewired with 3 Nos. pvc wires of length 0.50 meter each.*
- *Pin plunger actuator.*
- *Long mechanical & electrical life.*
- *Mounting interchangeable with V3(MV25) Series.*

## General Specifications

<b>Contact Configuration</b>	SPDT
<b>Contact Arrangement</b>	1No + 1NC, snap action.
<b>Contacts</b>	Fine Silver.
<b>Terminals</b>	Copper alloy, Silver plated.
<b>Contacts Bridge</b>	Heat treated copper alloy.
<b>Plunger</b>	Stainless steel.
<b>Cowl</b>	Silicon rubber.
<b>Case</b>	Glass filled flame retardant thermoplastic.

## Electrical Specifications

<b>Rating</b>	5.0A at 250V AC (Resistive load).
<b>Contact Resistance</b>	50 milliohms at 0.1A.
<b>Insulation Resistance</b>	1000 Megaohms min.
<b>Dielectric strength</b>	1KV AC.
<b>Electrical life</b>	10,000 operations at 5A, 250V AC.
<b>Mechanical life</b>	1,000,000 operations.

## Mechanical Specifications

<b>Actuating Force (AF)</b>	390gmsmax.
<b>Release Force (RF)</b>	110gmsmin.
<b>Free Position(FP)</b>	15.9mmmax.
<b>Operating Position(OP)</b>	14.5±0.5 mm.
<b>Overtravel</b>	Depress to case.
<b>Movement Differential</b>	0.4mmmax.
<b>Dimesnson Details</b>	31.7X24.2X10.5 mm.
<b>Mounting</b>	Two holes are provided for side mounting the switch to a flat, smooth surface. Suitable screws are m3 or #4 unified thread screws.
<b>Wire Length</b>	0.5 meter.
<b>Unit Weight</b>	28.9gms. Approx. including 0.5 meter long wires.
<b>Salient Features</b>	Pin plunger actuator, prewired , suffix in the ordering code e.g. 0.5 meter - No Suffix *(standard length) 0.75meter -075 1.0meter -100 2.0meter -200 2.5meter -250 ....and so on.

## Operation Environment Specifications

<b>Operating Temperature Range</b>	-10°C to +70°C.
------------------------------------	-----------------

## Protection Category

<b>IP Rating</b>	IP67.
------------------	-------

## Approvals

<b>Compliance/Certifications</b>	CE/CSA.
----------------------------------	---------

Similar Products

Parameters	Stock#	Stock#	Stock#	Stock#
Brand	RS PRO	RS PRO	RS PRO	RS PRO
Contact Configuration				
Switch Operation				
Illuminated				
Actuator Colour				
Actuator Shape				
Legend Text				
Legend Text Colour				
Lens Shape/Symbol				
Contact Material				
Case Material				
Actuator Style				
Contact Current Rating				
AC Voltage Rating				
DC Voltage Rating				
Terminal Type				
Termination Style				
Contact Resistance				
Minimum Insulation Resistance				
Dielectric Strength				
Panel Cut Out Size				
Panel Cut Out Width				
Panel Cut Out Height				
Panel Cut Out Diameter				
Mounting Type				
Operating Temperature Range				
IP Rating				
Compliance/Certifications				

## CONSTRUCTIONAL DIAGRAM/CIRCUIT DIAGRAMS