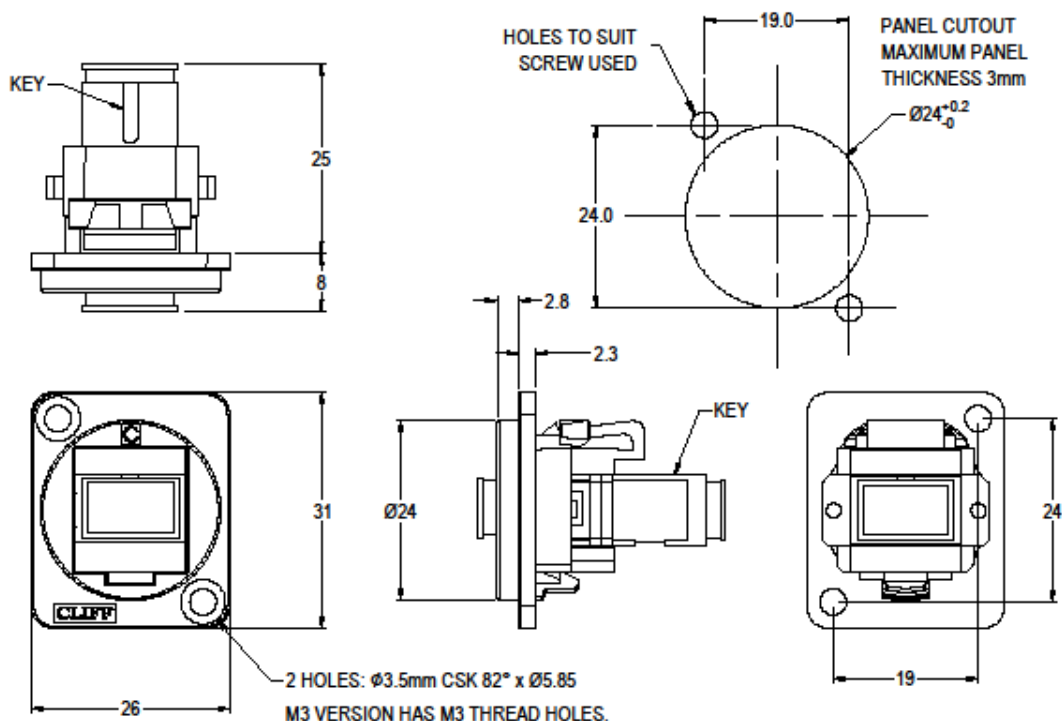


Datasheet

RS PRO METAL SC SIMPLEX MM M3 FEEDTHROUGH CONNECTOR

Stock No: 2035590, 2035591



Material:

1. Coupler Body: ABS
2. Frame: Nickel or black plated zinc diecast
3. Sleeve: Ceramic
4. Dust Cover: ABS
5. Insert: ABS/PC

Notes:

1. Insertion Loss: $\leq 0.3\text{dB}$
2. Dust caps may vary

Features & Benefits:

- Fits standard XLR Ø24mm cutout.
- No soldering or punch termination. Use standard cable for each connector style.
- Front or rear mounted.
- Low rear profile

General:

Please note: Functionality is affected by cable quality, length and cable wiring configuration.

Other models available:

Part No.

- | | |
|----------------|--|
| 8741213 | SC Simplex MM Black plastic frame, CSK holes |
| 9075640 | SC Simplex MM Nickel plated metal frame, CSK holes |
| 8741251 | SC Simplex MM Black plastic frame, PLAIN holes |



rspro.com

