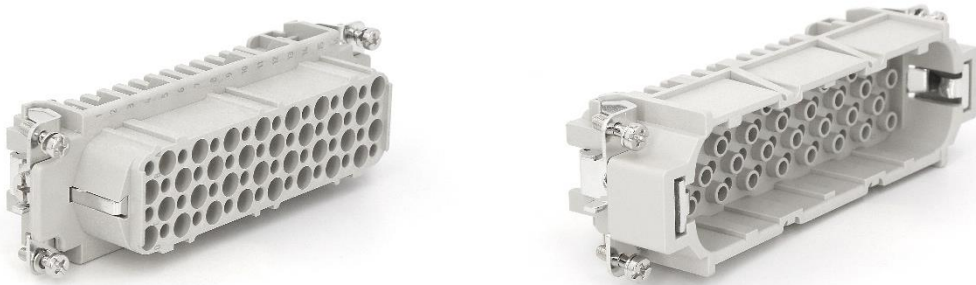




ENGLISH

Datasheet

RS PRO RS-HD Ultra High Density Inserts



The RS PRO Heavy-Duty Connector series is a full range of heavy-duty inserts, housings, crimps and accessories. The inserts are all made from Polycarbonate to industry standard sizes and are available in a choice of screw, crimp or spring clam terminations in a large variety of current ratings. Modular inserts are also offered allowing for maximum versatility when designing a system. These connectors have been created for applications that are subjected to harsh environments or where high vibration can cause standard connectors to fail. This makes them ideal for food & beverage manufacturing, packaging machines, conveyor belt systems, railway, oil & gas processing and other industrial automation. The entire range of connectors are RoHS compliant and as with all RS PRO products, offer exceptional value for money.

Features & Benefits:

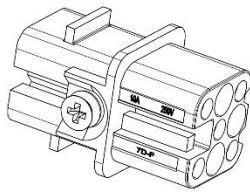
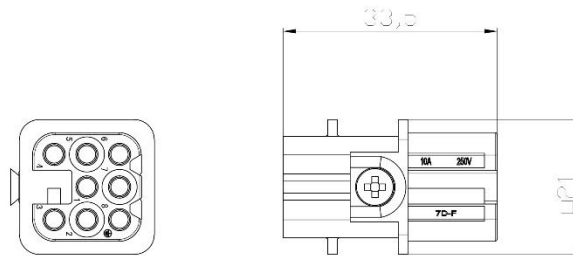
- Ultra High-Density Inserts
- 7 to 128 Poles
- Crimp Termination
- 10A, 250V (Except 8 Pole 10A, 42V/120V)
- For use with 10A Crimps
- Polycarbonate Body

Quality Standards

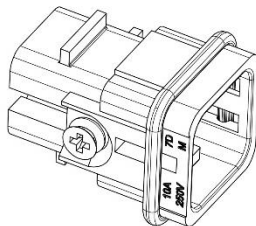
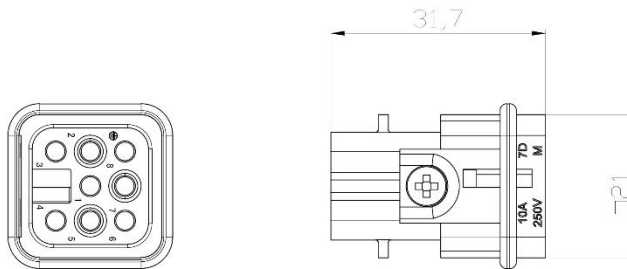


Dimensional line drawings

7 Pole Female Crimp for RS PRO H3A series Housing 208-4343

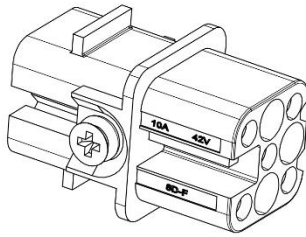
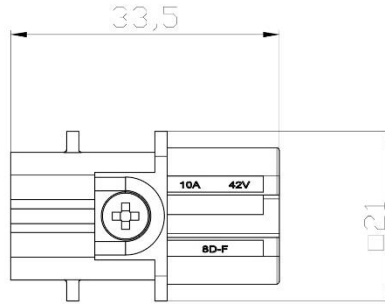
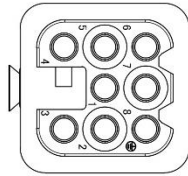


7 Pole Male Crimp for RS PRO H3A series Housing 208-4344

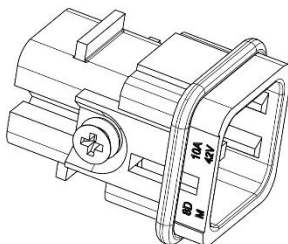
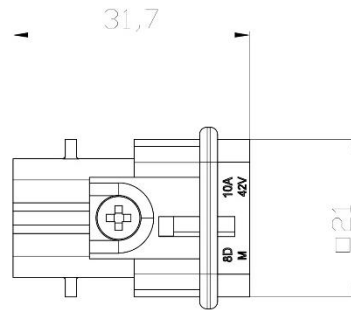
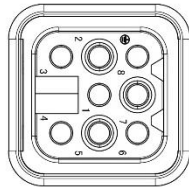


Dimensional line drawings

8 Pole Female Crimp for RS PRO H3A series Housing (10A, 42v/120v) 208-4345

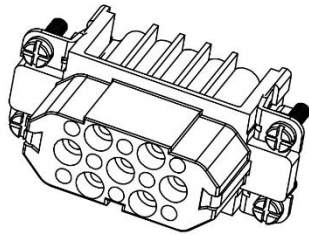
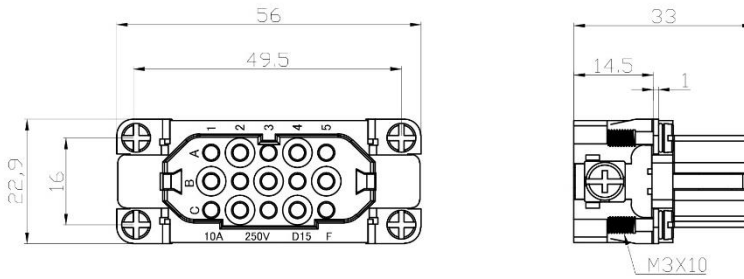


8 Pole Male Crimp for RS PRO H3A series Housing (10A, 42v/120v) 208-4346

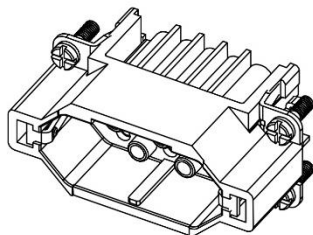
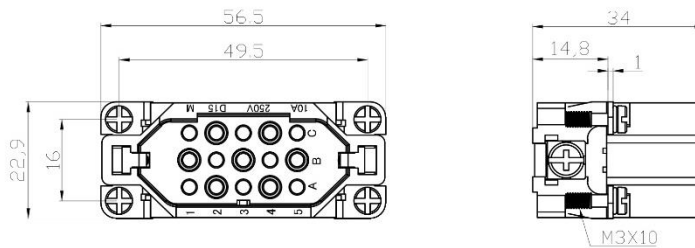


Dimensional line drawings

15 Pole Female Crimp for RS PRO H10A series Housing 208-4347

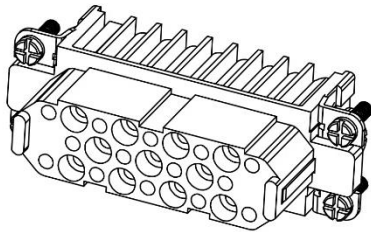
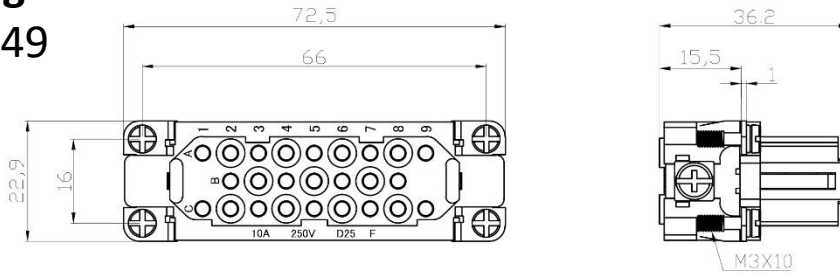


15 Pole Male Crimp for RS PRO H10A series Housing 208-4348

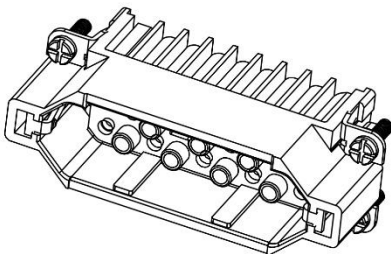
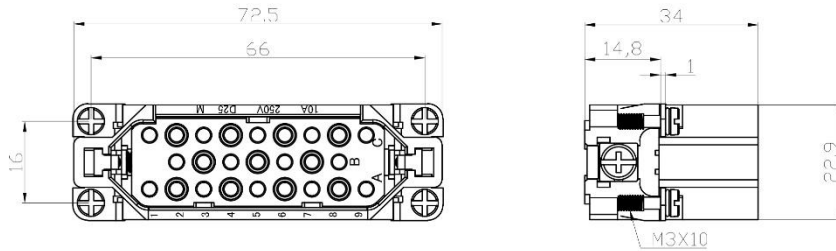


Dimensional line drawings

25 Pole Female Crimp (1-25) for RS PRO H16A series Housing 208-4349



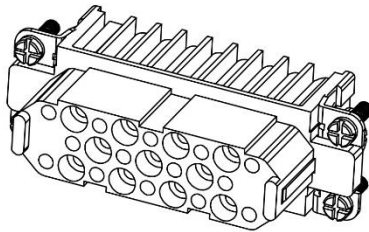
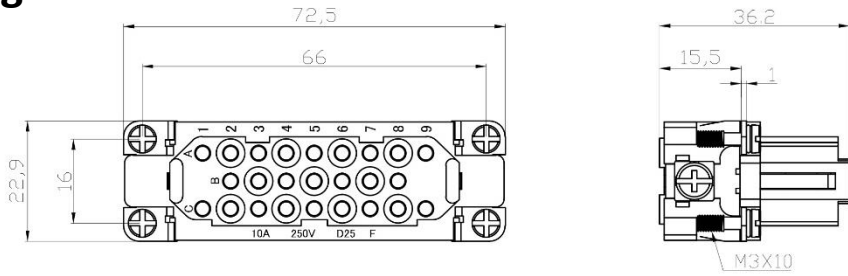
25 Pole Male Crimp (1-25) for RS PRO H16A series Housing 208-4351



Dimensional line drawings

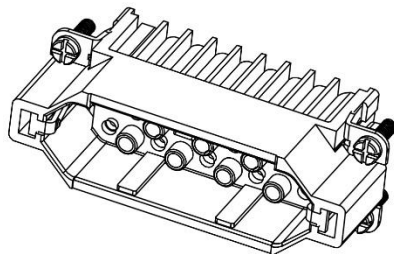
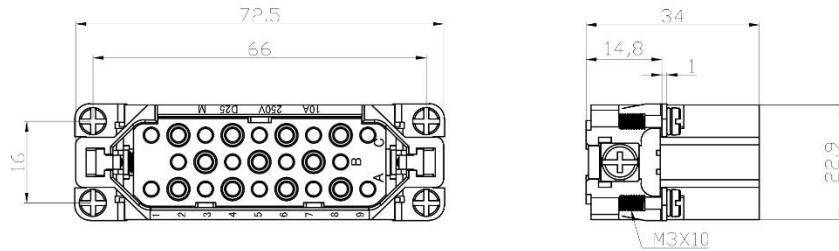
25 Pole Female Crimp (26-50) Single Housing H16A, Double Housing H32A

208-4350



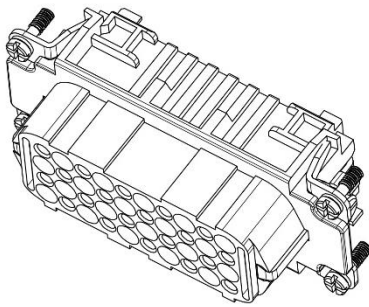
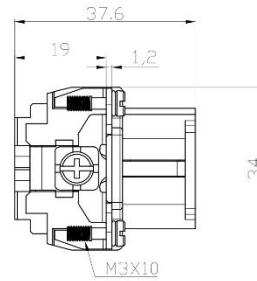
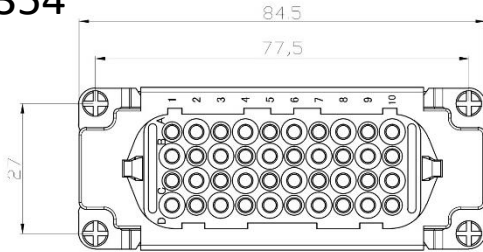
25 Pole Male Crimp (26-50) Single Housing H16A, Double Housing H32A

208-4352

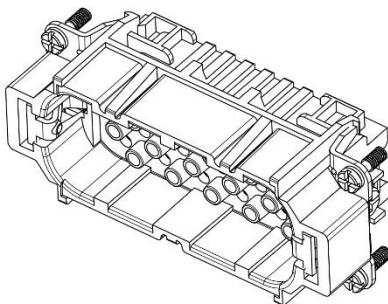
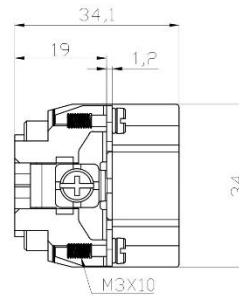
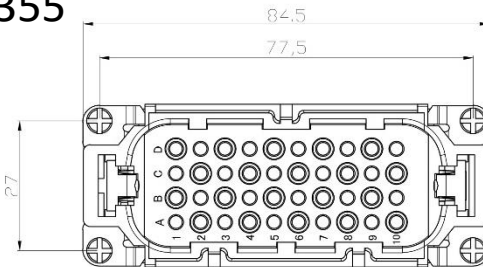


Dimensional line drawings

40 Pole Female Crimp for RS PRO H16B series Housing 208-4354

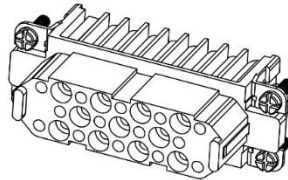
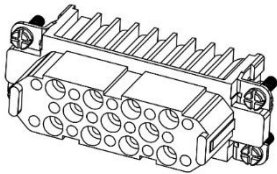
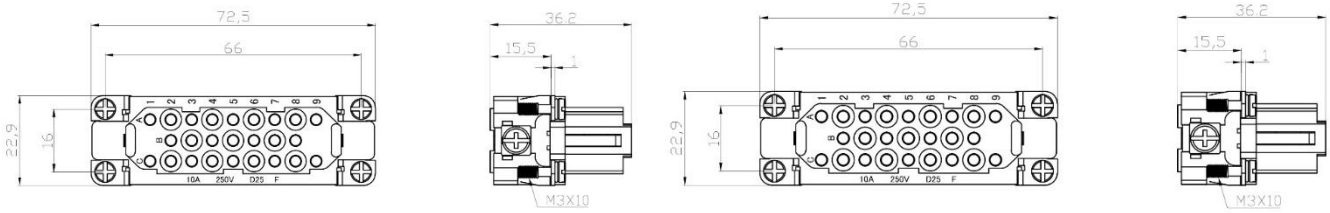


40 Pole Male Crimp for RS PRO H16B series Housing 208-4355

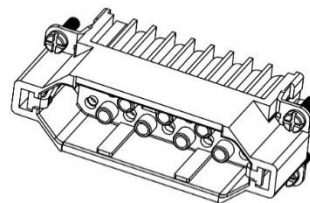
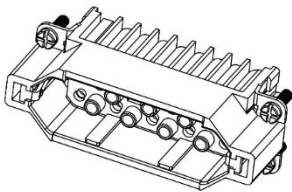
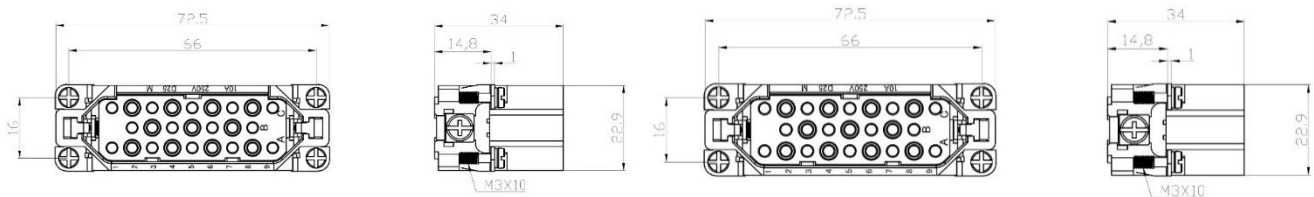


Dimensional line drawings

50 Pole Female Crimp for H32A series Housing 208-4356 (2x 25 pin)

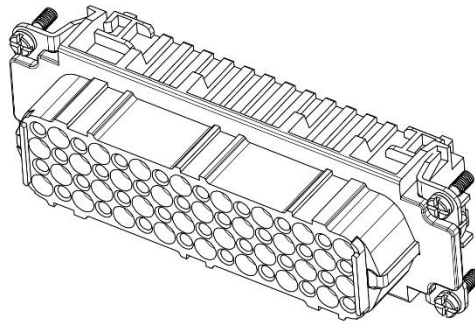
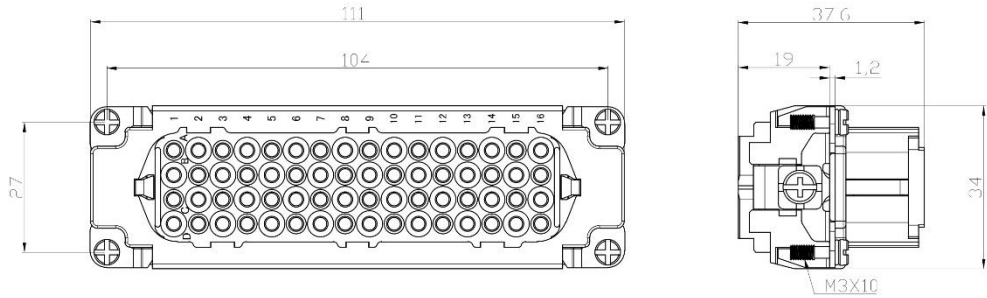


50 Pole Male Crimp for H32A series Housing 208-4357 (2x 25 pin)

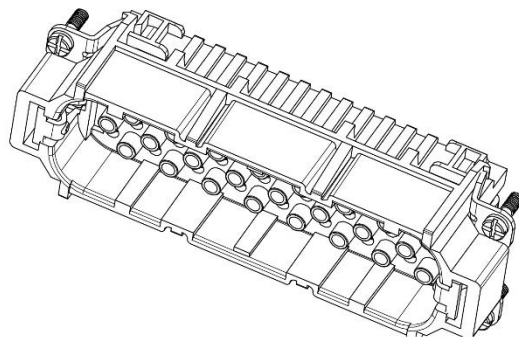
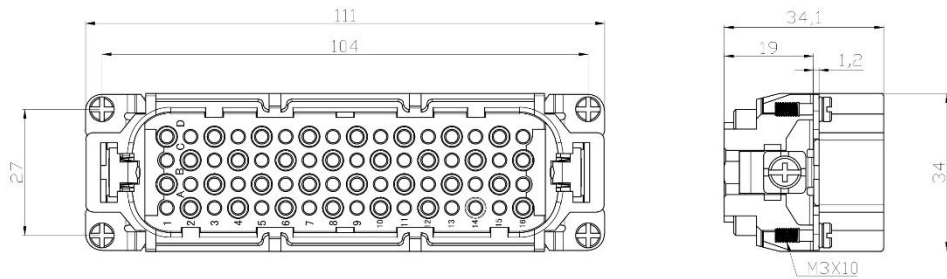


Dimensional line drawings

64 Pole Female Crimp for RS PRO H24B series Housing 208-4358

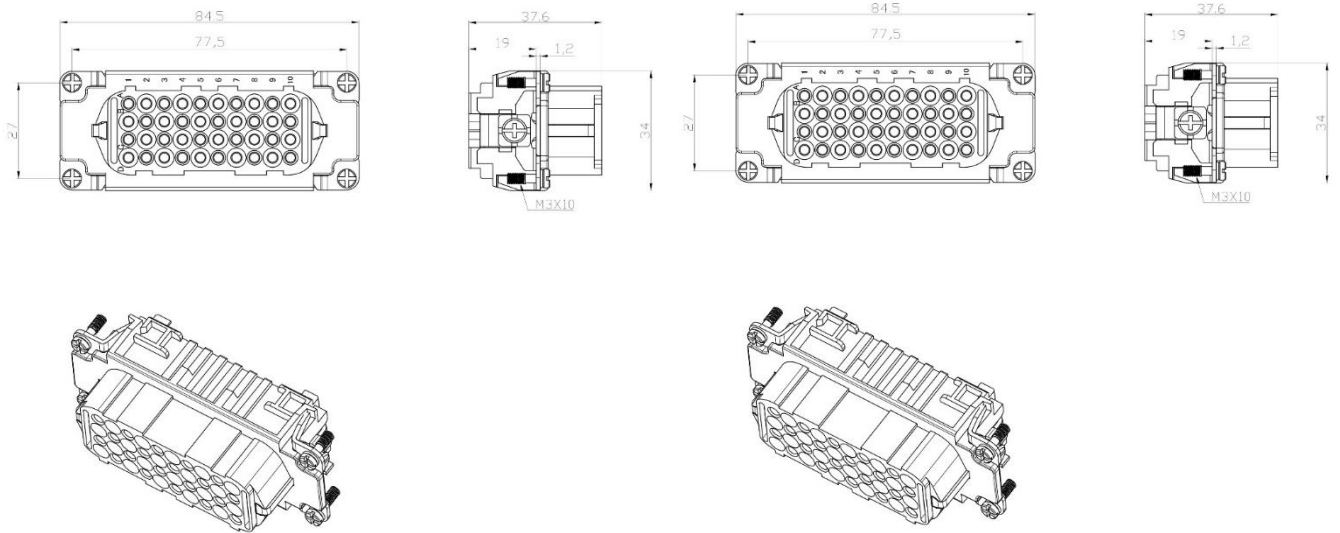


64 Pole Male Crimp for RS PRO H24B series Housing 208-4359

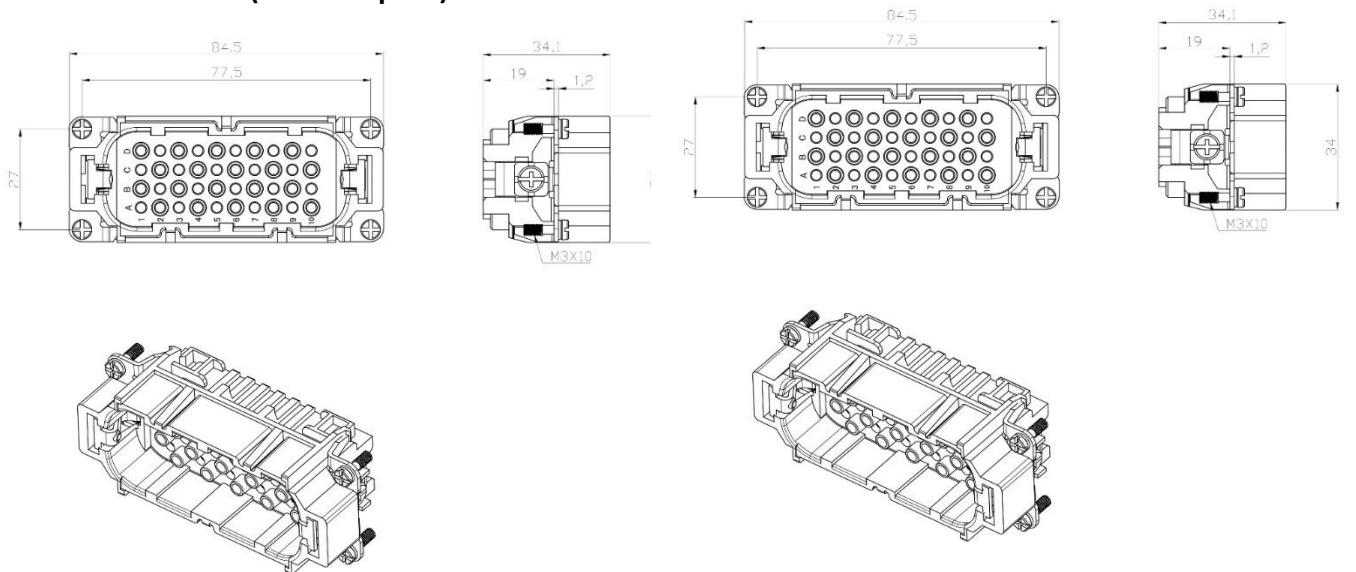


Dimensional line drawings

80 Pole Female Crimp for RS PRO H32B series Housing 208-4360 (2x 40 pin)



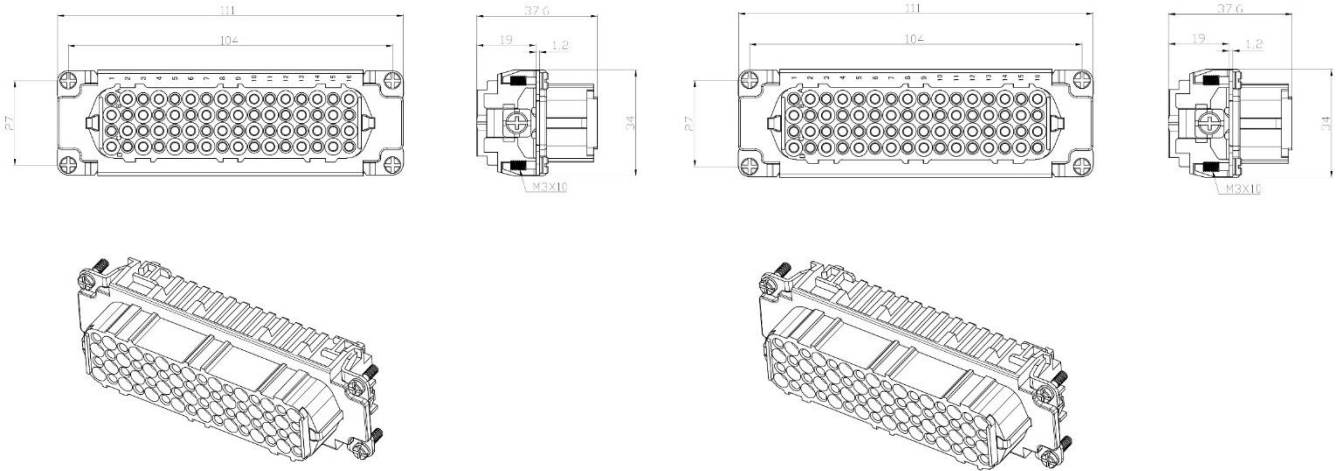
80 Pole Male Crimp for RS PRO H32B series Housing 208-4361 (2x 40 pin)



Dimensional line drawings

128 Pole Female Crimp for RS PRO H48B series Housing

208-4362 (2x 64 pin)



128 Pole Male Crimp for RS PRO H48B series Housing

208-4363 (2x 64 pin)

