



# MASTERColour CDM-T Elite

## MASTERColour CDM-T Elite 100W/930 G12 1CT/12

Single-ended, high-efficiency Ceramic Metal Halide discharge lamp

### Warnings and Safety

- Use only in totally enclosed luminaire, even during testing (IEC61167, IEC 62035, IEC60598)
- The luminaire must be able to contain hot lamp parts if the lamp ruptures
- Use only with electronic control gear. 35W & 70W lamps may also use electromagnetic gear.
- Control gear must include end-of-life protection (IEC61167, IEC 62035)
- A lamp breaking is extremely unlikely to have any impact on your health. If a lamp breaks, ventilate the room for 30 minutes and remove the parts, preferably with gloves. Put them in a sealed plastic bag and take it to your local waste facilities for recycling. Do not use a vacuum cleaner.

### Product data

General Information		Arc Length O (Nom)		8.5 mm	
Cap base	G12 [G12]				
Operating position	UNIVERSAL [Any or Universal (U)]				
Flux measurement reference	Sphere				
Life to 50% failures (nom.)	20,000 h				
Light Technical		Operating and Electrical			
Colour Code	930 [CCT of 3000K]	Power Consumption	100.1 W		
Luminous Flux	11,000 lm	Voltage (nom.)	88 V		
Colour designation	Warm White (WW)	Voltage (nom.)	88 V		
Chromaticity Coordinate X (Nom)	0.434				
Chromaticity Coordinate Y (Nom)	0.398				
Correlated Colour Temperature	3000 K	Controls and Dimming			
Luminous efficacy (rated) (nom.)	110 lm/W	Dimmable	No		
Colour rendering index (CRI)	92				
		Mechanical and Housing			
		Lamp Finish	Clear		
		Bulb shape	T19 [T 19 mm]		

# MASTERC colour CDM-T Elite

## Approval and Application

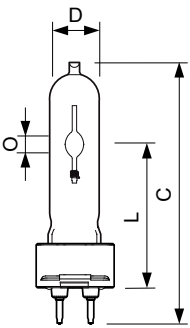
Energy Efficiency Class	F
Mercury (Hg) content (max.)	10.1 mg
Mercury (Hg) content (nom.)	10.1 mg
Energy consumption kWh/1,000 hours	101 kWh
EPREL registration number	473251

## Product Data

Order product name	MASTERC CDM-T Elite 100W/930 G12 1CT/12
Full product name	MASTERC colour CDM-T Elite 100W/930 G12 1CT/12

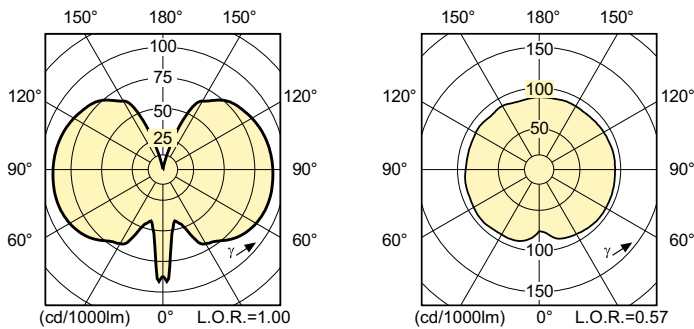
Full EOC	872790087169200
Order code	87169200
Material no. (12 NC)	928183205125
Local order code	100CDMTELITE930
SAP numerator – quantity per pack	1
EAN/UPC – Product/Case	8727900871692
Numerator – packs per outer box	12
EAN/UPC – Case	8727900871708

## Dimensional drawing

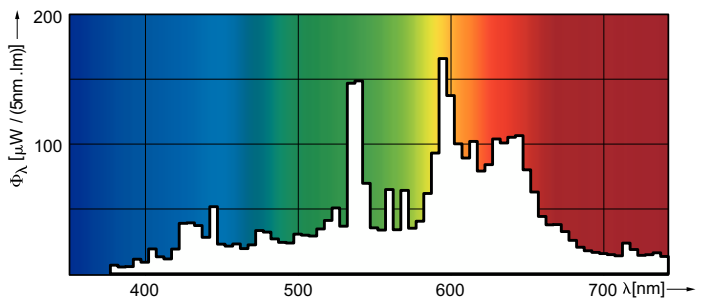


Product	D (max)	O	L (min)	L (max)	L	C (max)
MASTERC CDM-T Elite 100W/930 G12 1CT/12	20 mm	8.5 mm	55 mm	57 mm	56 mm	110 mm

## Photometric data



Light Distribution Diagram - MASTERC CDM-T Elite 100W/930 G12 1CT/12



Spectral Power Distribution Colour - MASTERC CDM-T Elite 100W/930 G12 1CT/12

# MASTERC colour CDM-T Elite

## Lifetime



Life Expectancy Diagram - MASTERC CDM-T Elite 100W/930 G12 1CT/12

Lumen Maintenance Diagram - MASTERC CDM-T Elite 100W/930 G12 1CT/12

