

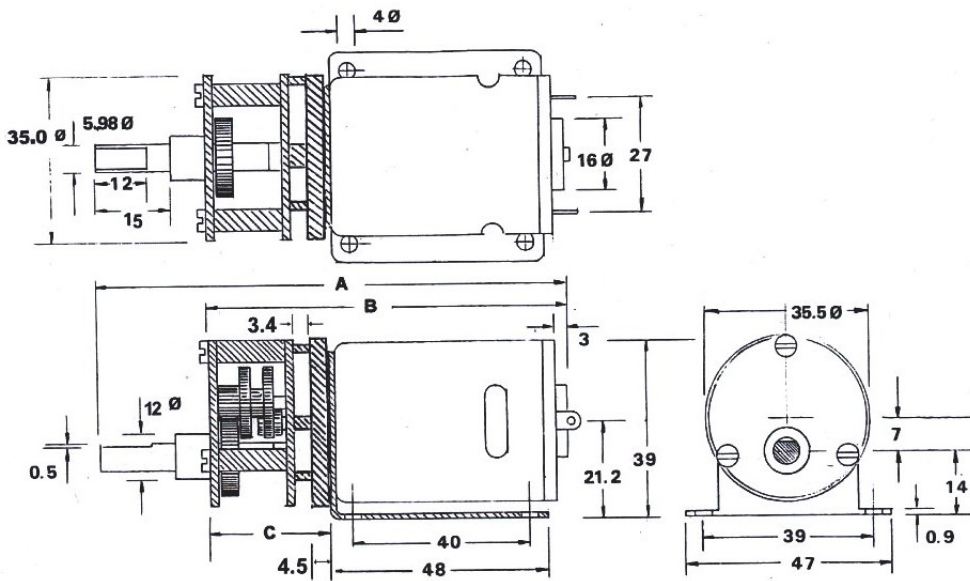
Datasheet

RS PRO, 12 V dc, 6000 gcm, Brushed DC Geared Motor, Output Speed 29 rpm

Stock No: 420-586

**Specifications:**

Output Speed	29 rpm
Supply Voltage	12 V dc
Maximum Output Torque	6000 g.cm
DC Motor Type	Brushed
Shaft Diameter	6mm
Power Rating	19.8 W
Gearhead Type	Spur
Length	83.2mm
Width	39mm
Current Rating	2.81A
Weight	260g



Operating relative humidity 20% ~ 85%
 Operating temperature range -10°C ~ +60°C

Ratio	A	B	C
500:1	108.2mm	83.2mm	31.2mm

Gearbox Housing material	Metal
Backlash at no-load	< 2°
Bearing at output	Sleeve bearings
Radial load (10mm from flange)	< 1 kgf
Shaft axial load	< 0.7 kgf
Shaft press fit force max	< 20 kgf
Radial play of shaft	< 0.05mm
Thrust play of shaft	< 0.35mm

Reduction Ratio	Rated tolerance Torque	Max momentary Tolerance Torque	Efficiency
1/500	6 kgf-cm Max.	18 kgf-cm	53%

Reduction Table RPM SUPPLY VOLTAGE	4.5v	6v	9v	12v	15v
420-586	11	15	22	29	36

Note: Motor speeds may vary by (+) or (-) 12.5%

