



ENGLISH

Datasheet

RS Article:1854658

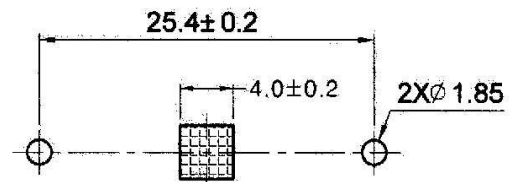
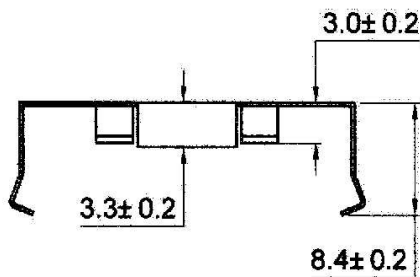
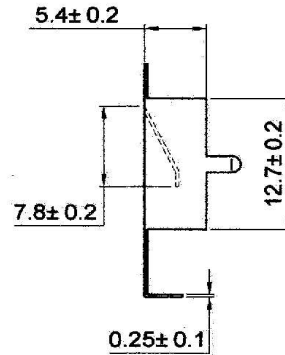
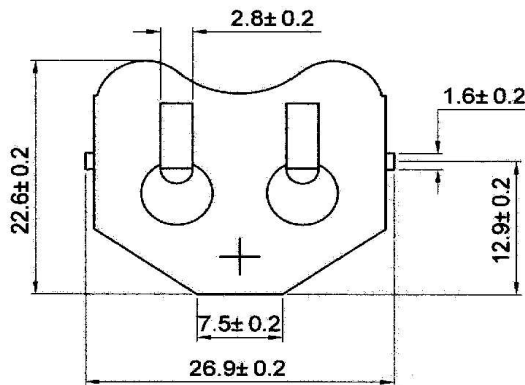
RS Pro Battery Holder



1. Preface:

The purpose of this product specification is to Dimension and drawing

Metal Coin Cell Holder CR2450



PCB Mounting layout

SPECIFICATION

- (1) ITEM NO: 1854658
- (2) MATERIAL: 0.25MM THICK PHOSPHOR BRONZE
NICKEL PLATED
- (3) RoHS COMPLIANT

Measure: mm