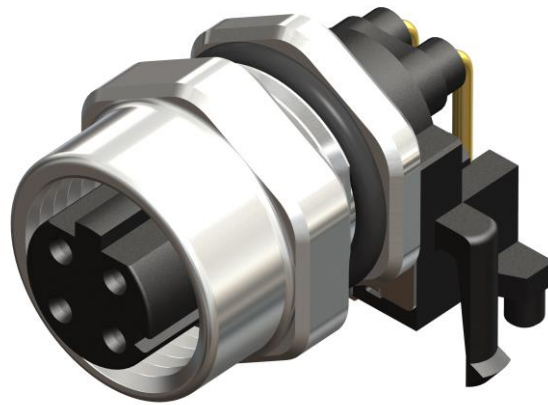


**Datasheet**

# RS PRO M12 Female PCB Panel Mount 4 Pin D-Coded Connector

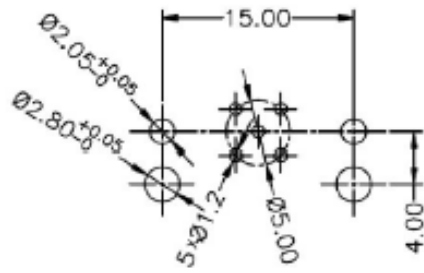
Part No: 2017183



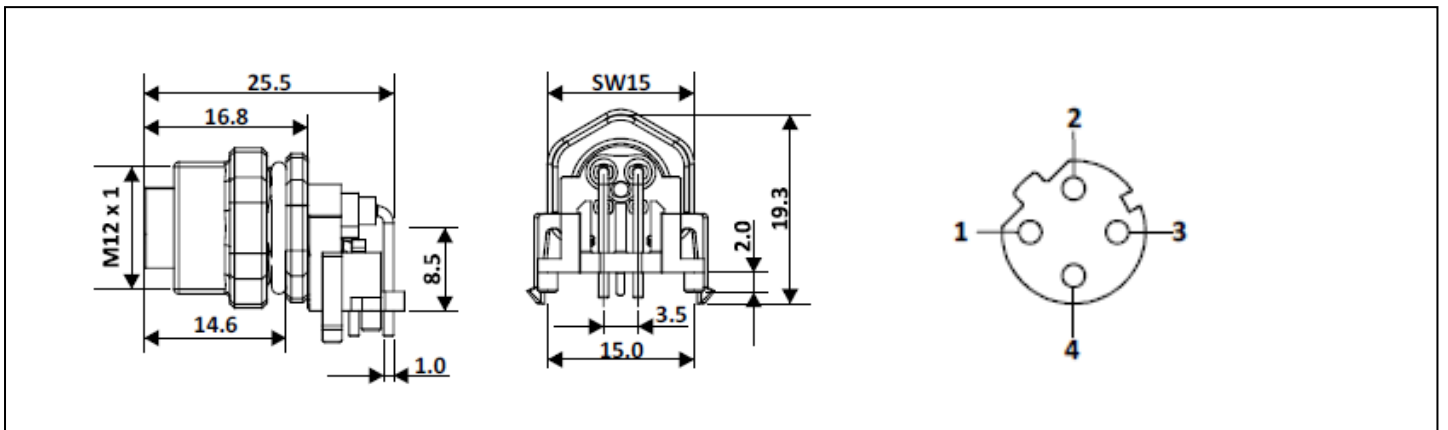
## Technical Specifications:

Rated Operational Voltage	250 V
Current Rating	4 A
Insulation Resistance	≥100 MΩ
Temperature Range	-25° ... +75°C
Coding	D-Coded
Degree of Protection	IP67
Housing Material	Brass Ni Plated
Contact	Cu-Zn
Contact Plating	Gold Flash
Contact Carrier	Nylon 66
O-ring	Neoprene
Pole	4
Clamp Nut	Brass Ni Plated

## PCB Layout:



Recommended PCB Layout



## Quality Standard: IEC 61076-2-101



Type Approved  
Safety  
Regular Production  
Surveillance



www.tuv.com  
ID 111210483

