



RoHS
Compliant

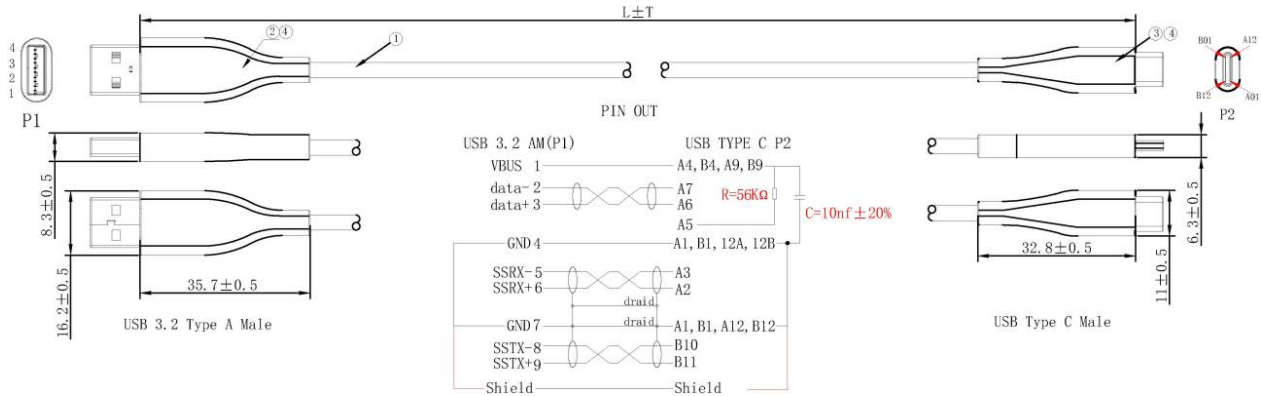
Features

- Improved data encoding for more efficient data transfer leading to higher through-put and improved I/O power efficiency
- Compatible with existing USB 3.0 / USB 3.2 Gen 1 software stacks and device protocols
- Works with both existing 5 Gbit/s USB 3.0 / USB 3.2 Gen 1 hubs and devices, as well as USB 2.0 products
- The USB type-C defines a new small reversible-plug connector for USB 3.0 / USB 3.2 Gen 1 devices
- The type-C plug can be used at both host and device side, replacing multiple type-B and type-A connectors and cables
- USB 3.1 high-speed cable in high quality with improved shielding
- Only suitable for USB standard power supply to 5V / 900mA!
- Type: A-C
- Colour: white

Specifications

Product type	USB 3.2 Cable
Colour	white
Length	2m/3m
Transfer quality	USB 3.2 Gen 1 SuperSpeed 5 Gbit/s (USB 3.1 Gen 1, USB 3.0)
Connection ports	USB 3 Type A Male / USB Type C (USB-C) Male
side 1 connector	Type A Male
side 2 connector	Type B Male
Side 1 Connector	Type USB 3 Type A
Side 1 Connector Gender	Male
Side 2 Connector Type	USB Type C (USB-C)
Side 2 Connector Gender	Male
Area of application	External
Cable shielding	Screened
Hand locking screws	No
Height of packaging (single piece)	20 mm
Width of packaging (single piece)	100mm/120mm
Depth of packaging (single piece)	100mm/120mm
Package weight (single piece)	0.088kg/0.118kg

Diagram



Material List

Dimensions : Millimetres

No	Parts Name	Specification Description	Qty
1	Cable	(30AWG TC × 1P+D+Nylon) × 2C+30AWG TC × 1P+23AWG TC+Nylon) × 2C+Nylon+AL+B Jacket : 70P PVC White OD : 4.5 ±0.2mm	1
2	USB A Type	USB A/M, Blue Insulation, The Pin Gold Plating, The Shell For Nickel Plating	1
3	USB C Type	USB C/M Solder Type, Black PBT Insulation, The Pin Gold Plating, The Shell for Nickel Plating	1
4	Outer Mold	PVC 88A Colour White	2

Note

1. Electrical test

- 100% open short and miss wire test;
- Insulation resistance: DC 300V 10MΩ;
- Conductor resistance : 3Ω Max;
- Transfer speed : 5Gbps, Current : 3A Max;

Part Number Table

Description	Part Number
USB Cable, USB3.2, Type A to Type C Plug, White, 2m	MP010438
USB Cable, USB3.2, Type A to Type C Plug, White, 3m	MP010439

Important Notice : This data sheet and its contents (the "Information") belong to the members of the AVNET group of companies (the "Group") or are licensed to it. No licence is granted for the use of it other than for information purposes in connection with the products to which it relates. No licence of any intellectual property rights is granted. The Information is subject to change without notice and replaces all data sheets previously supplied. The Information supplied is believed to be accurate but the Group assumes no responsibility for its accuracy or completeness, any error in or omission from it or for any use made of it. Users of this data sheet should check for themselves the Information and the suitability of the products for their purpose and not make any assumptions based on information included or omitted. Liability for loss or damage resulting from any reliance on the Information or use of it (including liability resulting from negligence or where the Group was aware of the possibility of such loss or damage arising) is excluded. This will not operate to limit or restrict the Group's liability for death or personal injury resulting from its negligence. Multicomp Pro is the registered trademark of Premier Farnell Limited 2019.