



ENGLISH

Datasheet

RSPR350 350W Thick Film Heatsink Resistor

Product details :

350 Watt power resistor suitable for multiple industries & applications including-

- Traction.
- Power Supplies.
- Control devices.
- Robotics.



Specifications :

Power rating	350W at 85°C bottom case temp	Partial discharge	4kV rms. <10pC to IEC60270
Resistance range	R2 to 1M	Typical inductance	≥80nH measured at 10Hz
Tolerance	±10%(K) ±5%(J), ≥ 3R ±1%(F)	Parallel capacitance	≥40pF measured at 10Hz
Temperature coefficient	±500ppm/ °C (0.1 Ω ≤0.12 Ω) ±150ppm/ °C (>0.12 Ω ≤1M Ω)	Capacitance / mass	≥110pF measured at 10Hz
Maximum working voltage	5000 Vdc rms (50 Hz)	Short term overload	600W at 70°C for 10 sec
Working temperature range	-55°C to +150°C	Mounting screw / max. torque	M5 standard , 1.8Nm
Dielectric strength	7kV rms/50Hz/500VA test time 1 min	Contacts	(M4 on special request connection screw thread max
Creepage distance	> 42mm std (higher on request)		7mm)

Test Specifications :

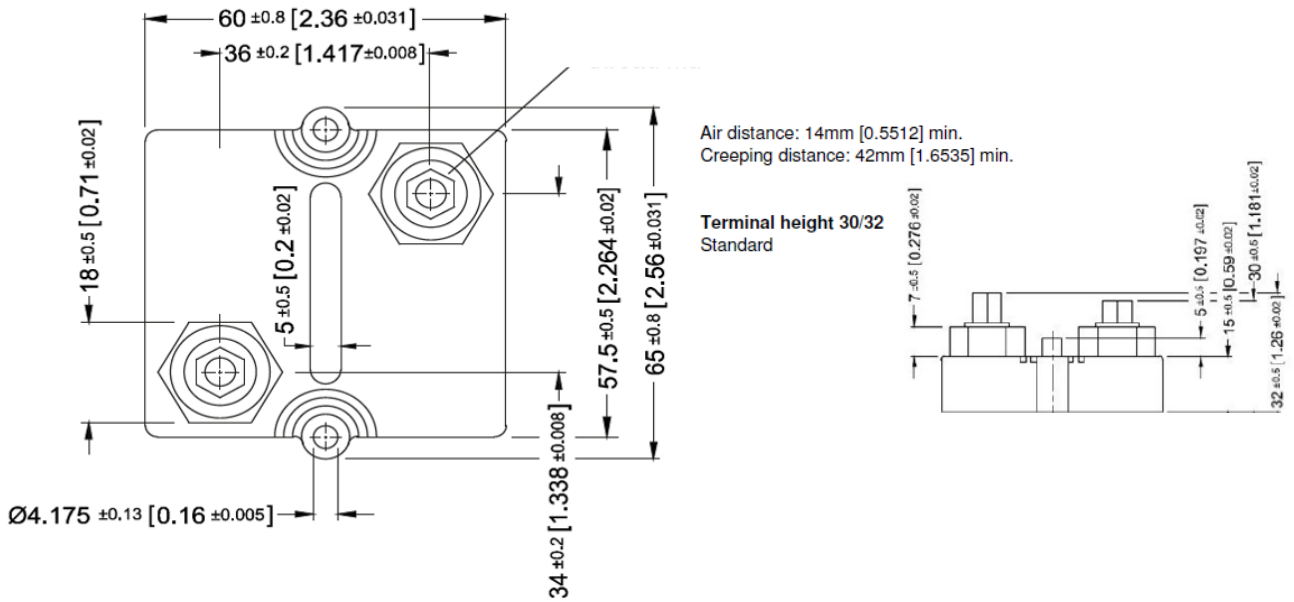
Humidity 56 days / 40°C / Steady state 95%	ΔR ±0.25%
Temperature -55 / +125 / 5 cycles	ΔR ±0.20%
Shock 40g / 4,000 times	ΔR ±0.25%
Vibrations 2-500Hz / 10g	ΔR ±0.25%
Load life 3000 cycle Pn 30 min. on / 30 min. off	ΔR ±0.40%

Resistance Value Chart

RS Stock no.	Rating Power	Resistance Value
1781184	350W	68R
1781185	350W	100R
1781186	350W	10K
1781187	350W	10R
1781188	350W	1R
1781189	350W	220R
1781190	350W	22R
1781191	350W	2K2
1781192	350W	100K
1781193	350W	4K7
1781203	350W	2R2

Dimensions :

Dimensions in mm [inches]



Derating Curve :

