

FEATURES

- Operating temperature range is from - 60 °C to + 300 °C
- RoHS and REACH compliant
- Silicon free

RS PRO ELBOW FEMALE ADAPTOR COMPRESSION

RS Stock No.: 2312576



RS PROfessionally Approved Products bring to you professional quality parts across all product categories. Our product range has been tested by engineers and provides a comparable quality to the leading brands without paying a premium price.

Product Description

The RS PRO elbow female adaptor compression is made up of brass. The working pressures and working temperatures depend on which type of tube is used, for this reason, the values must be determined in accordance with the tube's features. Hereunder, we specify the values of the maximum pressure advised for the fittings at a temperature of 20° C connected with copper tube, which has a thickness of 1 mm. Here the tube size is 10 and corresponding maximum pressure advised is 94 bar.

General Specifications

Fitting Type	Elbow
Angle	90°
Material	Brass
Fitting Direction	Elbow
Application	Compressed Air, Pneumatic Automation, Industrial water circuits, Inert Gases, Fluids, Steam Vacuum

Mechanical Specifications

Pipe Fitting Connection Type	Threaded
Connection 1	M14 Metric Female
Connection Gender 1	Female
Thread Size 1	M14
Thread Standard 1	Metric
Connection 2	1/4 in BSPP Female
Connection Gender 2	Female
Thread Size 2	1/4 in
Thread Standard 2	BSPP
Length 1	34mm
Length 2	25mm
Wrench Size	13mm

Operation Environment Specifications

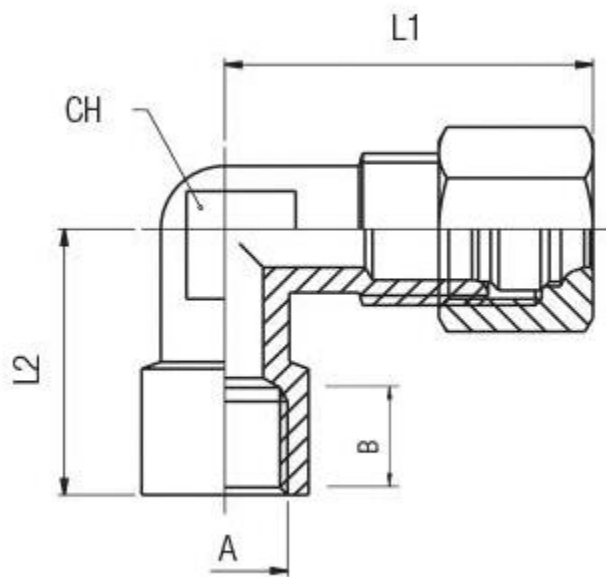
Temperature	Min.	Max.
	- 60°C	+ 300°C

Approvals

Approvals	RoHS and REACH compliant
-----------	--------------------------

Similar Products

Parameters	2312588	2312589
Brand	RS PRO	RS PRO
Pipe Fitting Connection Type	Threaded	Threaded
Connection 1	M14 Metric Female	M14 Metric Female
Connection Gender 1	Female	Female
Thread Size 1	M14	M14
Thread Standard 1	Metric	Metric
Connection 2	1/4 in BSPT Male	1/8 in BSPT Male
Connection Gender 2	Male	Male
Thread Size 2	1/4 in	1/8 in
Thread Standard 2	BSPT	BSPT
Length	29.5mm	28mm
Wrench Size	14mm	11mm



Tube	A	B	L1	L2	CH	Pack.
10	1/4	11	34	25	13	10