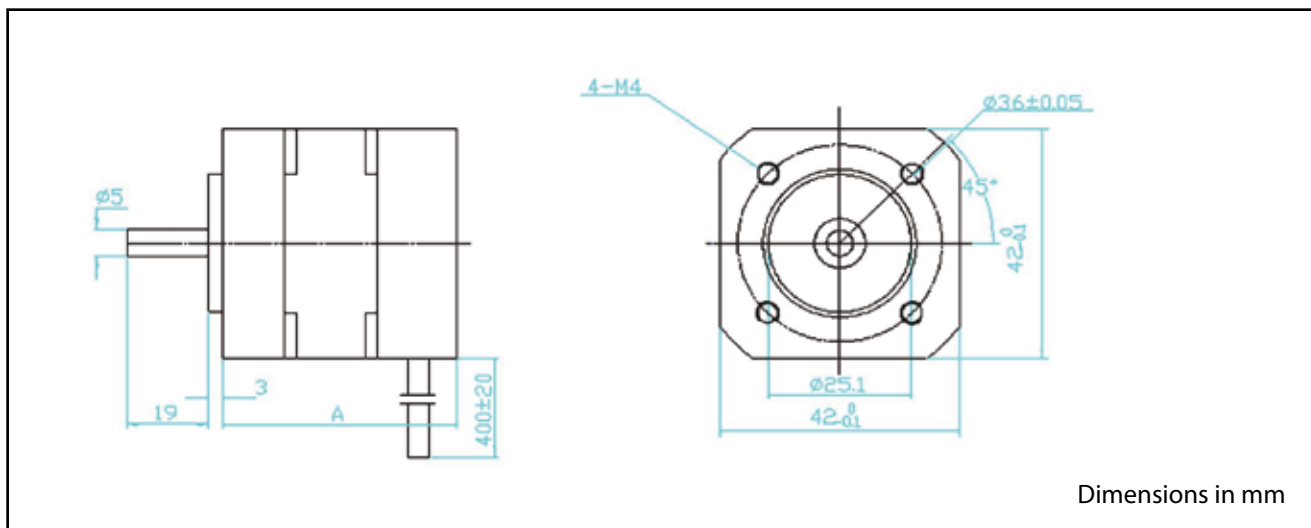


# Data Sheet

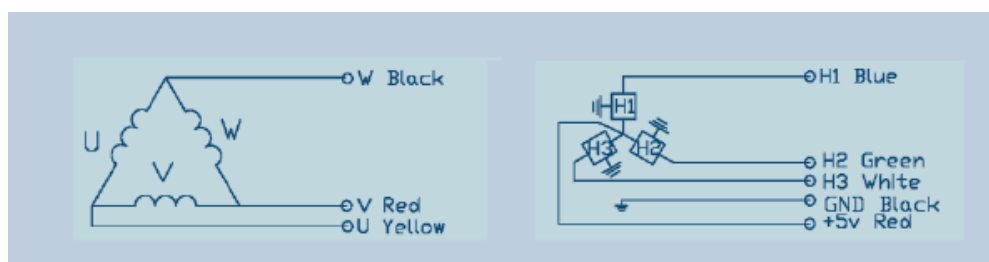
## BRUSHLESS MOTOR

RS stock number 536-6030



### Specifications

Model	536-6030
No of Poles	8
No of Phase	3
Rated Voltage (V)	24
Rated Speed (RPM)	4000
Rated Torque (Nm)	0.25
Max Peak Torque (Nm)	0.75
Torque Constant (Nm/A)	0.036
Terminal Resistance (Ohm)	0.28
Line to Line Inductance (mH)	0.54
B.E.M.F At Nominal Speed (Vrms)	15.2
Max Peak Current (A)	20
Length (mm)	100
Rotor Inertia (Kgm <sup>2</sup> x 10 <sup>-6</sup> )	96
Mass (Kg)	0.8



Note: Suitable for use with drive 418-4045