

FEATURES

- Quick connection and disconnection
- Large range to comply food norms
- Silicon free
- Operating temperature range is from - 15 °C to + 190 °C

RS PRO ORIENTING TEE MALE ADAPTOR (PARALLEL) CENTRE LEG - FOOD GRADE

RS Stock No.: 2312770



RS PROfessionally Approved Products bring to you professional quality parts across all product categories. Our product range has been tested by engineers and provides a comparable quality to the leading brands without paying a premium price.

Product Description

The RS PRO orienting tee male adaptor (parallel) centre leg works in - 0.99 bar to 20 bar pressure range. It is mainly used in dairy, coffee machine, vending, food & beverage, medical, vacuum applications.

It is available in brass with Food Grade coating. In combination with FEP tubes, it is the most demanded solution for the Food & Beverage market. Because of the special coating it can be used also in aggressive environment.

RoHS and REACH compliant.

General Specifications

Material	Nickel Plated Brass
Applications	Lubrication System, Cooling System, Pneumatic Machinery Equipment

Mechanical Specifications

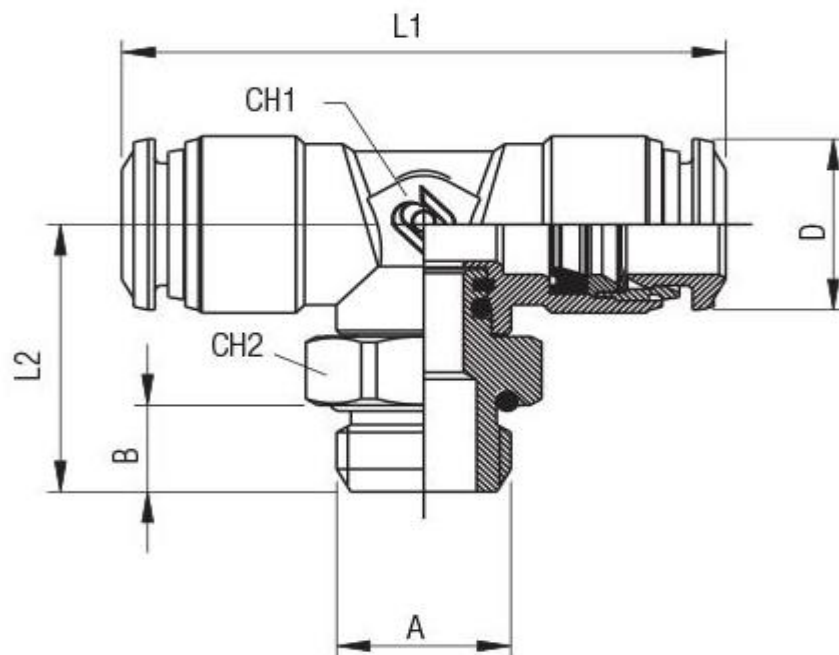
Connection Type	Threaded, Tube
Tube Connection Size	8mm
Coupling Gender	Male
Threaded Connection	1/8 in Male
Thread Size	1/8in
Hose Barb Connection	8mm
Mounting Hole Diameter	14.5mm
Wrench Size1	13
Wrench Size2	13
Length L1	45mm
Length L2	22.7mm

Operation Environment Specifications

Minimum Operating Temperature	-15°C
Maximum Operating Temperature	190°C

Similar Products

Parameters	2312769	2312772
Brand	RS PRO	RS PRO
Thread Size	1/4in	1/8in
Wrench Size1	11	13
Wrench Size2	16	16
Length L1	42mm	45mm
Length L2	20mm	23mm



Tube	A	B	L1	L2	CH1	CH2	D	Bag
8	1/8	5.4	45	22.7	13	13	14.5	10