

■ Piezo Buzzer

Piezo Indicator(Internal Circuitry Type)

Panel Mounting Type

KPEG655SA

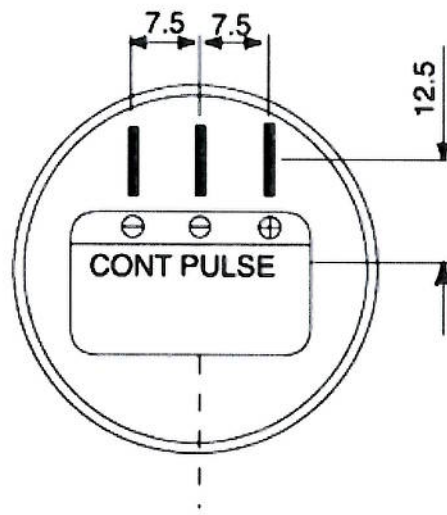
..Shape

KPEG655SA

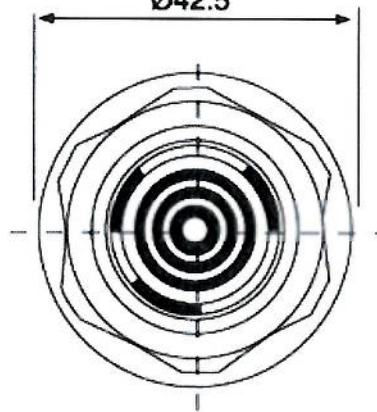


Rated Frequency (Hz)	2,800±500
Operating Voltage Range (V.D.C.)	6~28
Current Consumption (mA)	Max.13@12VDC
Sound Pressure Level (dB)	Min.92@30cm / 12VDC
Rated Voltage (VDC)	12
Tone	Continuous
Operating Temperature (°C)	-30 ~ +85
Storage Temperature (°C)	-40 ~ +95
Weight (Gram)	35.0
Material	ABS UL-94 1/16" HB high Heat (Black)
Rated Frequency (Hz)	2,800±500
Operating Voltage Range (V.D.C.)	6~28
Current Consumption (mA)	Max.11@12VDC
Sound Pressure Level (dB)	Min.87@30cm / 12VDC
Rated Voltage (VDC)	12
Tone	Fast Pulse
Operating Temperature (°C)	-30 ~ +85
Storage Temperature (°C)	-40 ~ +95
Weight (Gram)	35.0
Material	ABS UL-94 1/16" HB high Heat (Black)

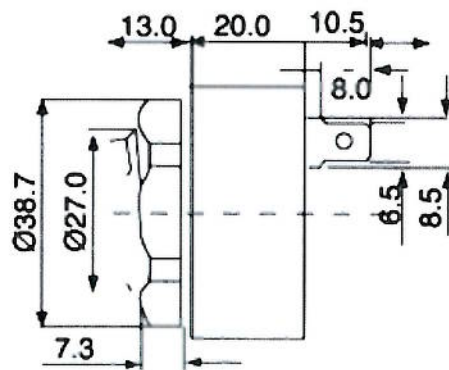
..Dimension



Ø42.5



Top View



..Characteristic / Schematic Diagram