

FEATURES

- Space saving, compact design
- Modular design can be joined together
- Jumper Link accessory to electrically connect blocks together
- Tinned copper block for improved connectivity
- IP20 Protection
- UL Finger safe
- Cable fixing screw dia' = >95% fill ratio of terminal
- Semi translucent cover allows for visual inspection
- Hinged, removeable cover for ease of access to screw heads
- DIN Rail or Surface Mounting

RS PRO Distribution Blocks 125 Amp 690Vac/dc IEC 150 Amp 600Vac/dc UL/CSA

RS Stock No.: **2374279**



RS Professionally Approved Products bring to you professional quality parts across all product categories. Our product range has been tested by engineers and provides a comparable quality to the leading brands without paying a premium price.

Distribution Blocks

Product Description

RS Pro Distribution Terminal Blocks save space and increase wiring efficiency of large incoming cable supplies by offering one large input terminal and multiple smaller outgoing terminals.

The tinned copper block construction ensures excellent connectivity, while the translucent, hinged, removeable protection cover allows for visual inspection of the connection.

Safety is afforded by the UL Approved finger protection.

The large Hex-drive clamping screws are a minimum of 95% of the terminal internal diameter for excellent electrical contact

- *Used to split large cable incoming supplies to multiple smaller cables/loads*
- *Typically used in Control Panels and electrical equipment with multiple internal circuits taking their supply from one source*

Mechanical Specifications

Contact block material	Tinned Copper
Housing Material	Self-quenching UL Approved thermoplastic
Mounting	35mm DIN Rail or Surface Mounting.

Electrical Specifications

Maximum Current	125 Amps IEC, 150 Amps UL/CSA
Maximum input Voltage	Vi 690V IEC, Vin 600V UL.
Cable sizes: metric	Incoming 10 – 35mm ² X 1. + 6...16mm ² x 1(or jumper link) Outgoing 2.5...16mm ² X 6
Cable sizes: U.S. Regulations	Incoming 8...1/0AWG X 1. 14...4AWG X 1 Outgoing 14...4AWG X 6

Protection Category

IP rating	IP20, Finger proof to UL Approval standards.
------------------	---

Additional Information

Custom Tariff Number	85369001
-----------------------------	----------

Distribution Blocks

Classification

IEC	IEC 60947-7-1
-----	---------------

Approvals

Declarations	UKCA, CE, UL, RoHS
--------------	--------------------

Similar Products

Stock No.	Product Name	IEC	UL/CSA
2374285	Distribution Block 80A	80 Amps	85 Amps
2374281	Distribution Block 125A	160 Amps	200 Amps
2374282	Distribution Block 160A	250 Amps	255 Amps
2374283	Distribution Block 250A	400 Amps	335 Amps
2374284	Distribution Block 400A	500 Amps	520 Amps

Accessory

Jumper Link	
Stock number 2374286 .	Only for use with 2374279 and 2374281

Dimensions

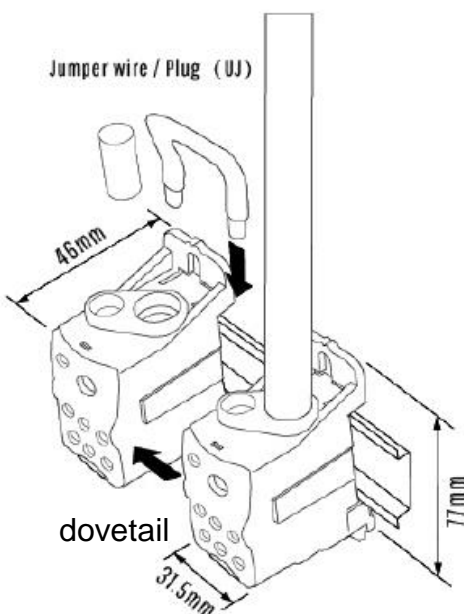


Figure 1 Jumper link **2374286**



Illustration showing 2 x Distribution blocks connected with jumper link **2374286**. Note that the blocks together to create a solid assembly