

## Datasheet

### SPDT Toggle Switch ON-ON, Panel Mount

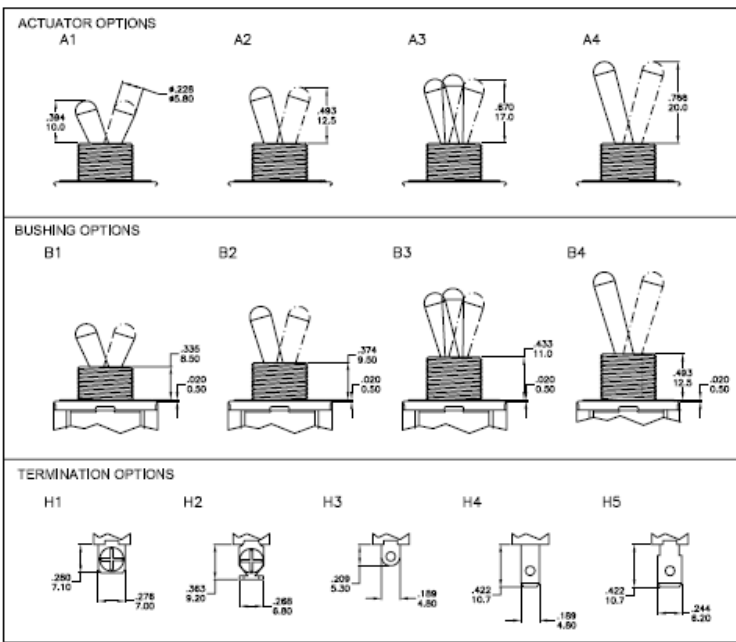
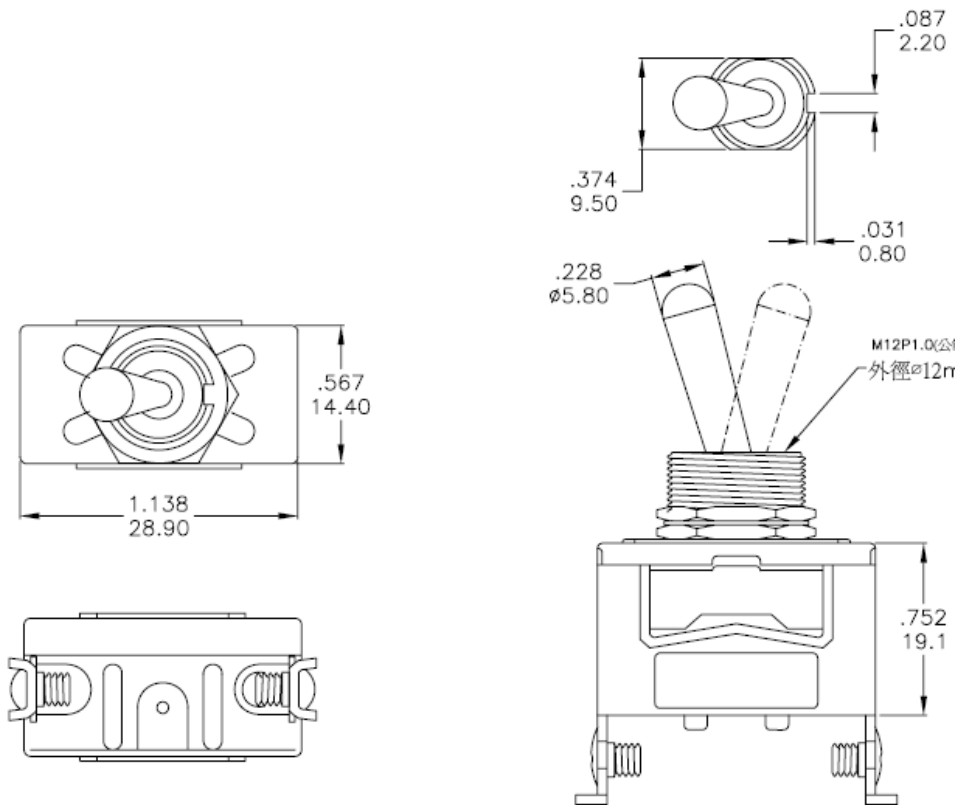
RS Stock number 734-6801



#### Specifications:

Contact Resistance:	20m $\Omega$ max. Initial @ 2-4V DC, 100mA for both silver and gold plated
Mounting Type:	Panel Mount
Contact Rating:	20A @ 28V DC
Actuator Length:	17mm

Dimensions – inch  
mm



NO. POLES SP	MODEL NO.	SWITCH FUNCTION			CONNECTED TERMINALS /SCHEMATIC		
		POS.1	POS.2	POS.3	POS.1	POS.2	POS.3
v	703	OFF	NONE	ON	OPEN	N/A	1-3
	703A	OFF	NONE	MOM			

SWITCH FUNCTION

15A/250VAC- 20A/125VAC-15A~20A/28VDC