

## Datasheet

# RS PRO PC-INSULATED PIN TERMINALS

Stock number: 178-8418

**MAXIMUM ELECTRIC CURRENT:**

A.W.G.	22	20	18	16
AMP.	9	12	17	18

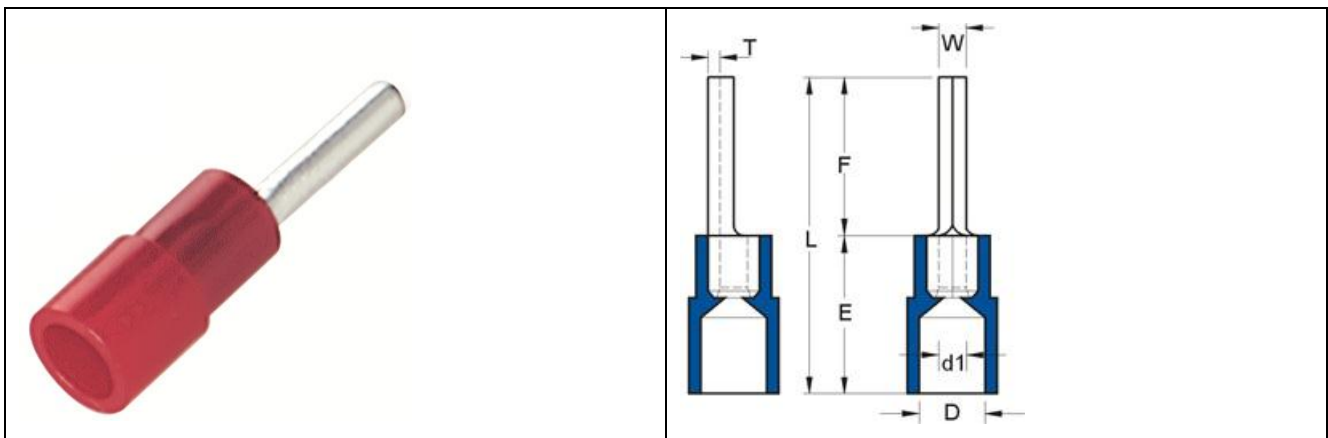
**MAXIMUM ELECTRICAL RATING:** 125° C 600 VOLTS MAX.

**INSULATION MATERIAL:** PC

**TERMINAL MATERIAL:** COPPER

**INSULATION COLOR:** RED

**TERMINAL BARREL I.D.:** C=1.7MM



WIRE RANGE A.W.G. mm <sup>2</sup>	ITEM NO. BRAZED SEAM	DIMENSION inch(mm)							
		W	F	L	E	D	d1	T	
22-16 A.W.G.	178-8418	0.075	0.472	0.898	0.433	0.157	0.067	0.03	
0.5-1.5 mm <sup>2</sup>		1.9	12	22.8	11	4.000	1.7	0.75	