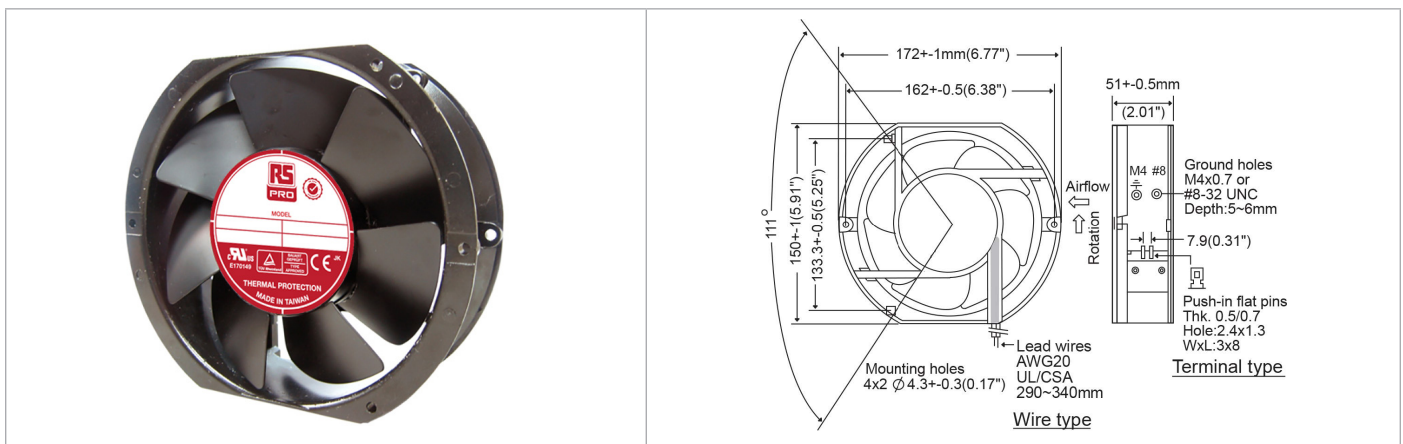




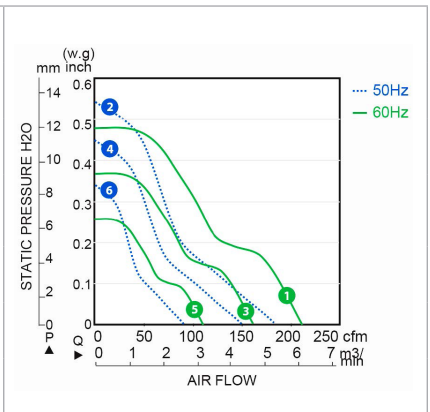
# Datasheet

## RS PRO AC AXIAL FAN 230VAC 172×150×51mm, ALL METAL IP55

EN



Frame	Diecast Aluminum	<u>Environmental Protection</u> IP55  <u>Operating Temperature</u> -30C ~ +80C  <u>Storage Temp</u> -40C ~ +100C  <u>Life Expectancy</u> 50,000 hours (55C)  Weight: ~ 1.2 kg (2.65 lbs)
Impeller	Metal alloy	
Connection	Terminals or 2x Lead Wires	
Motor	AC Shaded pole, Thermal protection	
Bearing System	Dual ball bearing	
Insulation Resistance	>100MOhm at 500VDC	
Dielectric Strength	> 1 min at 1500 VAC, 50/60Hz	



Model Number	175-9787	175-9790
Connection	Wire Leads	Terminals
Speed (RPM)	2750	2750
Airflow (CFM)	185	185
Noise Level (dB)	58	58
Volts AC	230	230
Voltage Range	200-240	200-240
Watts	47	47
Max. Static Pressure	0.55" H <sub>2</sub> O	0.55" H <sub>2</sub> O
Curves	2	2