



ENGLISH

Datasheet

RS Pro Saddle Clip Natural Nylon 66

RS Stock No: **479-550**



Product Details

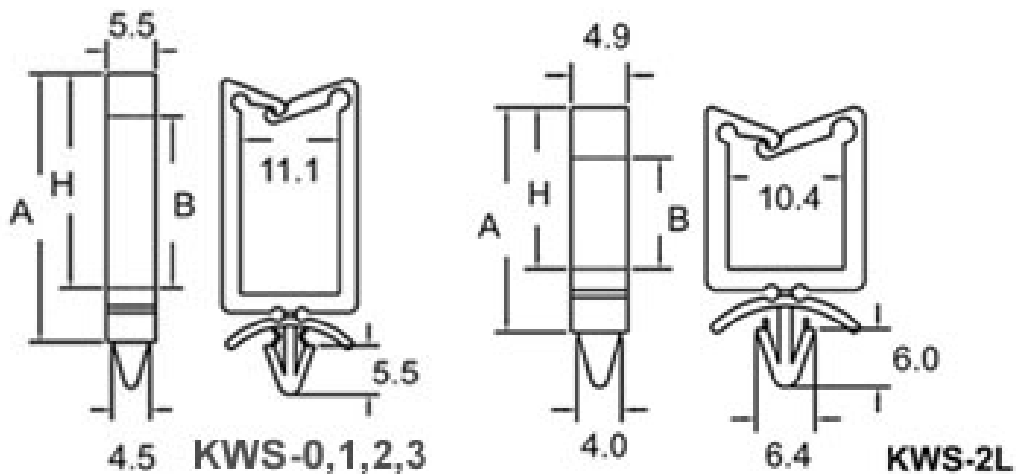
RS Pro saddle clip in natural colour, is made of nylon 66. It is easy to fit snap-in base and locking top to ensure cables stay in position once installed. It is designed such that the additional cables can be added or removed.

Features and Benefits

- Measures 5.5 x 15.9 x 9 mm
- Push in affixing method
- Made of nylon 66
- Natural colour

**Specifications:**

Affixing Method	Push In
Cable Clip/Clamp Style	Saddle Clip
Colour	Natural
Depth	5.6 mm
Dimensions [L x W (x D)]	13 x 15.9 x 5.6 mm
Length	13 mm
Material	Nylon 66
Width	15.9 mm
Standards Met	UL 94V-2



Unit:mm Item No.	Dimension			PCB		Packing
	H	A	B	hole	thickness	
<input type="checkbox"/> KWS-0	9.0	13.0	4.0	4.8	2.0	100pcs (1000pcs)
<input type="checkbox"/> KWS-1	14.2	19.0	10.5	4.8	2.0	
<input type="checkbox"/> KWS-2	23.0	27.0	19.0	4.8	2.0	
<input type="checkbox"/> KWS-2L	15.0	18.0	12.0	4.8	4.0	
<input type="checkbox"/> KWS-3	31.1	35.8	28.0	4.8	2.0	