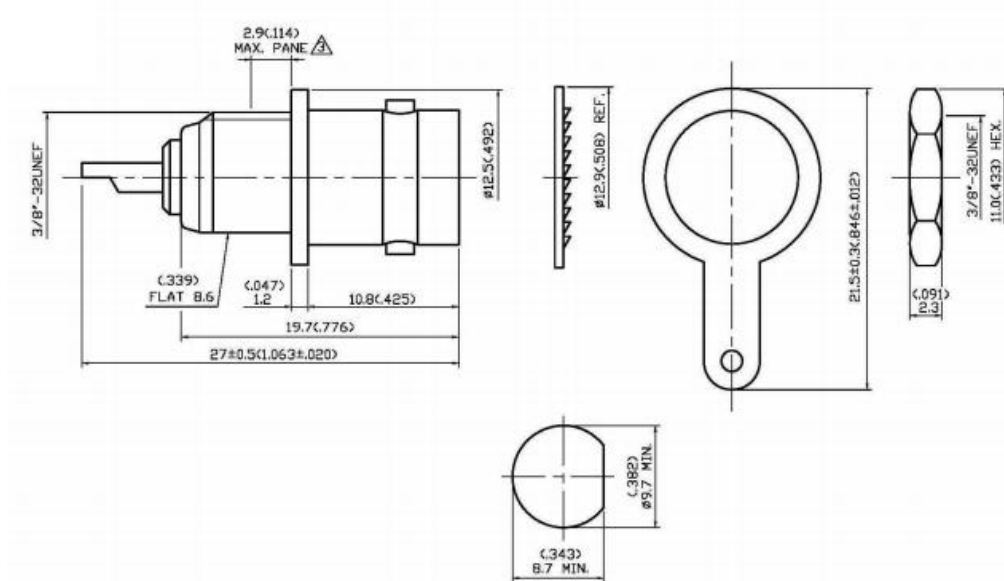


# Datasheet

## Straight 75Ω Panel Mount Bulkhead Fitting BNC Connector

RS Stock number [546-4904](#)

Dimensions: (mm)



## Specifications

Materials	Environmental	Electrical
<ul style="list-style-type: none"> <li>Bodies: Brass per JIS-C36D4</li> <li>Center Contact: Brass Per JIS-C3604</li> <li>Insulation: Teflon per ASTM D1457 / ASTM D1710</li> </ul>	Operating temperature range: $-65^{\circ}\text{C}$ to $+165^{\circ}\text{C}$	<ul style="list-style-type: none"> <li>Frequency Range: DC-1 GHz</li> <li>Nominal Impedance: 75 ohms</li> <li>Voltage Rating: 600 Volts Max</li> </ul>

No.	Description	Material	Q'ty	Finish
1	Washer	Steel	1	Nickel
2	Nut	Brass	1	Nickel
3	Grounding Tab	Brass	1	Nickel
4	Insulation	Teflon	1	None
5	Center Contact	Brass	1	Gold
6	Body	Brass	1	Nickel 100" Min
7	Insulation	Teflon	1	None