

Datasheet

## RS Pro Fuse Holder, For 5 x 20 mm Fuse

Stock No: 1884478,1884623



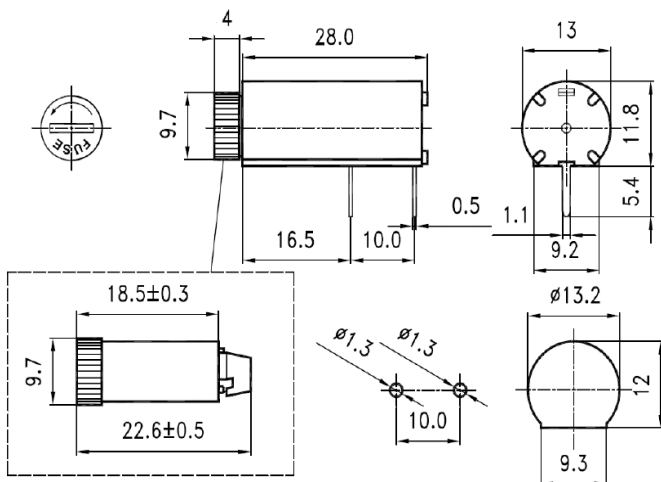
### Specifications:

#### Materials

PBT : Polybutylene terephthalate.

Nickel or tin plated copper alloy.

#### Drawing (mm):



Tolerance :  $\pm 0.2$



ENGLISH

## Electrical Characteristic:

Rated Current : 10A 250V.

Insulation Resistance : 100M $\Omega$  Min (at 500V DC).

Contact Resistance : 5m $\Omega$  (at 1A DC).

Dielectric Strength For 60 Seconds : AC 1000V Min.

Insulating Body : Flame retarding UL 94 V0 thermoplastic material.

## Reference:

Stock No	Rating amperes
1884478	10A 250V
1884623	10A 250V