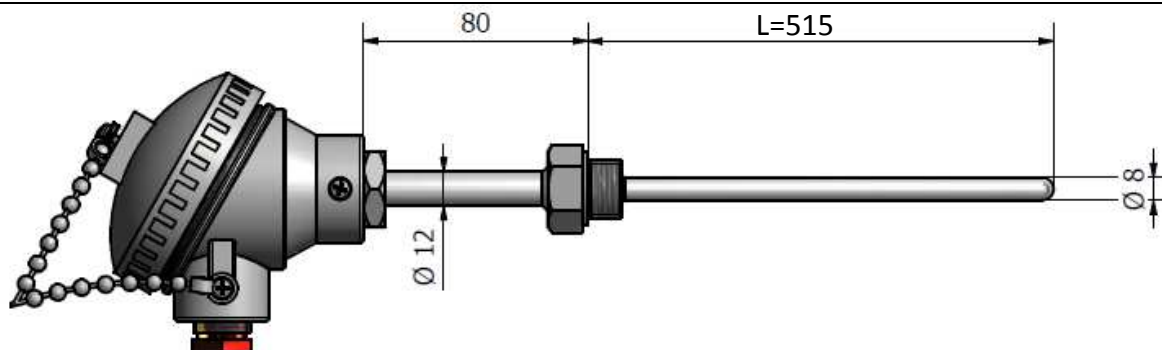




Data sheet



K-type temperature sensor with interchangeable thermic sleeve and welded connection 1/2" BSP

Range :

- 0°C / +700°C

Application :

- Universal

Feature strong point :

- Solid , reagent

FEATURES :

- Thermocouple type K (Chromel – Alumel)
- Hot junction ungrounded
- Interchangeable thermic sleeve Ø6 (RS 621-2489)
- SS 316L Outer protector Ø8
- IP64 aluminium head type KNE – Epoxy coated
- Welded connection 1/2" BSP
- Under-head reinforcement Ø 12

DIMENSIONS :

- Length under joint seal range: 515mm
- O.D : 8mm

METROLOGICAL DATA:

- As per IEC 60584
- Tolerances TC K class 1 :
-40°C < t° < +375°C = ± 0,5°C
+375°C < t° < +1000°C = ±0.004 (t)
- Constant time in water: < 20 sec
- Output signal FEM (mV) as per curve of "K" type derived from IEC 60584

Available dimensions :

Length "L"	165 mm	265 mm	515 mm
Référence	621-2417	621-2439	621-2451