

## FEATURES

- Rated currents up to 20A
- General purpose filtering performance
- The compact size can be applied to various situations.
- YB12 filters are also available as two-stage filters(YB35) in noisy environment

## RS PRO Power Line Filters

RS Stock No.: 2378701, 2378702



RS Professionally Approved Products bring to you professional quality parts across all product categories. Our product range has been tested by engineers and provides a comparable quality to the leading brands without paying a premium price.

### Product Description

- Electrical and electronic equipment
- Medical equipment
- Datacom equipment
- Office automation equipment

### General Specifications

The compact size can be applied to various situations. YB12 filters are also available as two-stage filters (YB35) in noisy environment. There are a variety of parts and combinations to meet different customer's EMC tests. Customized products according to customer's requirements.

### Mechanical Specifications

size	44.5X50.5X30mm (L X W X H)
weight	0.123kgs

### Electrical Specifications

Rated Voltage Max.	250VAC, 50/60Hz
Operating frequency	DC to 400Hz
Rated currents	20A@40°C
Hipot Rating	L-N 1450VDC, L/N-G 2000VAC/2250VDC

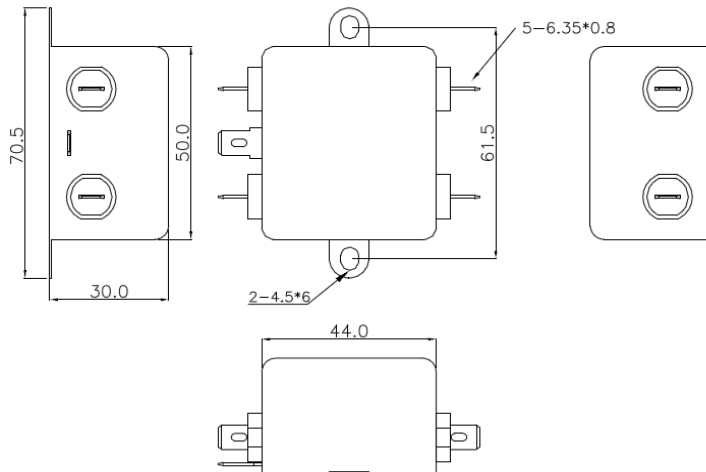
### Protection Category

according to IEC 60529 IP40

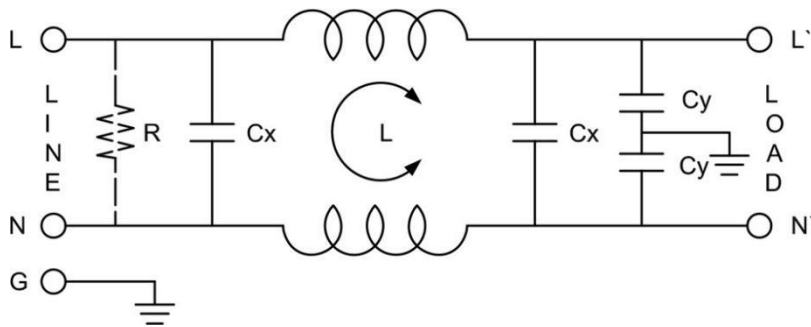
**Approvals**

<i>Declarations</i>	CUL;TUV;CQC;CE
<i>Standards Met</i>	UL1283, CSA C22.2 No.8; IEC/EN 60939,; CQC GB 15288/GB 15287-2008

**Physical Dimensions:**



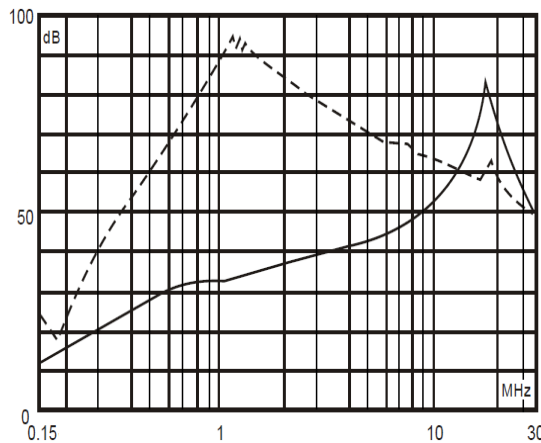
**Electrical Schematic:**



**Insertion loss table(In 50ohm system according IEC/CISPR No.17)**

———— Common mode      - - - - - Differential mode

20A



**packaging**

# Power Line Filters

