

## Datasheet

# RS PRO IP68 USB-A 2.0 – Metal Panel Mount Coupler



The RS PRO series of waterproof metal USB-A connectors are a range of ruggedised IP67/IP68 connectors designed to be used outdoors or in harsher industrial environments. Designed to fit panel cut outs of 25.5mm the metal USB-A series also comes with rear potting on the panel mount connectors. This ensures your panel is still sealed to an IP67/IP68 rating even when the connector is unmated, and the sealing cap is not connected. The threaded mating allows for a secure connection.

## Features & Benefits:

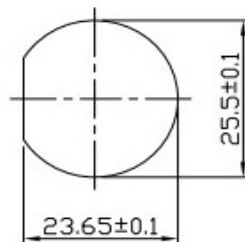
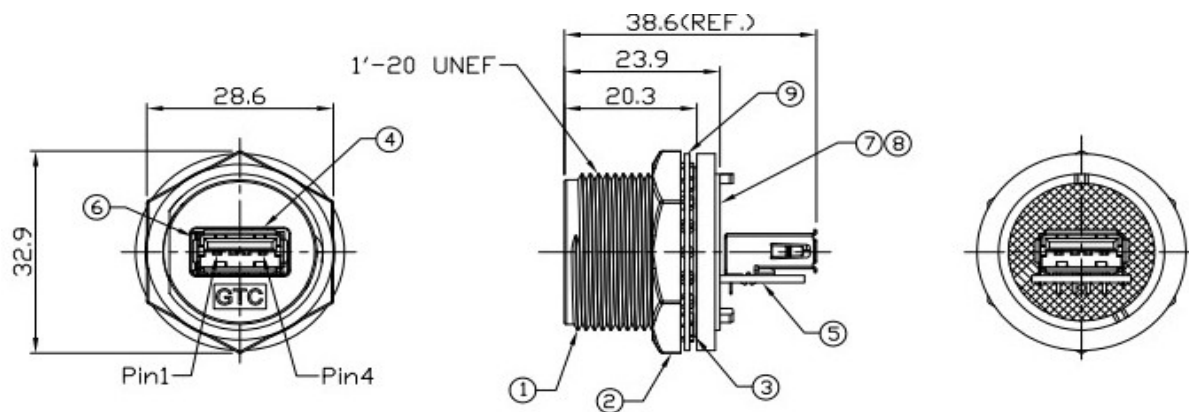
- Thermoplastic Nickel Plated Zinc Alloy Housing
- IP67/IP68
- Rear Potted
- Threaded Mating
- USB-A 2.0/3.0

## Quality Standards



# Dimensional line drawings

122-3021



Recommend  
Panel Cut-Out