

HDMI Header Through Hole with Flange

multicomp^{PRO}

RoHS
Compliant



Specifications:

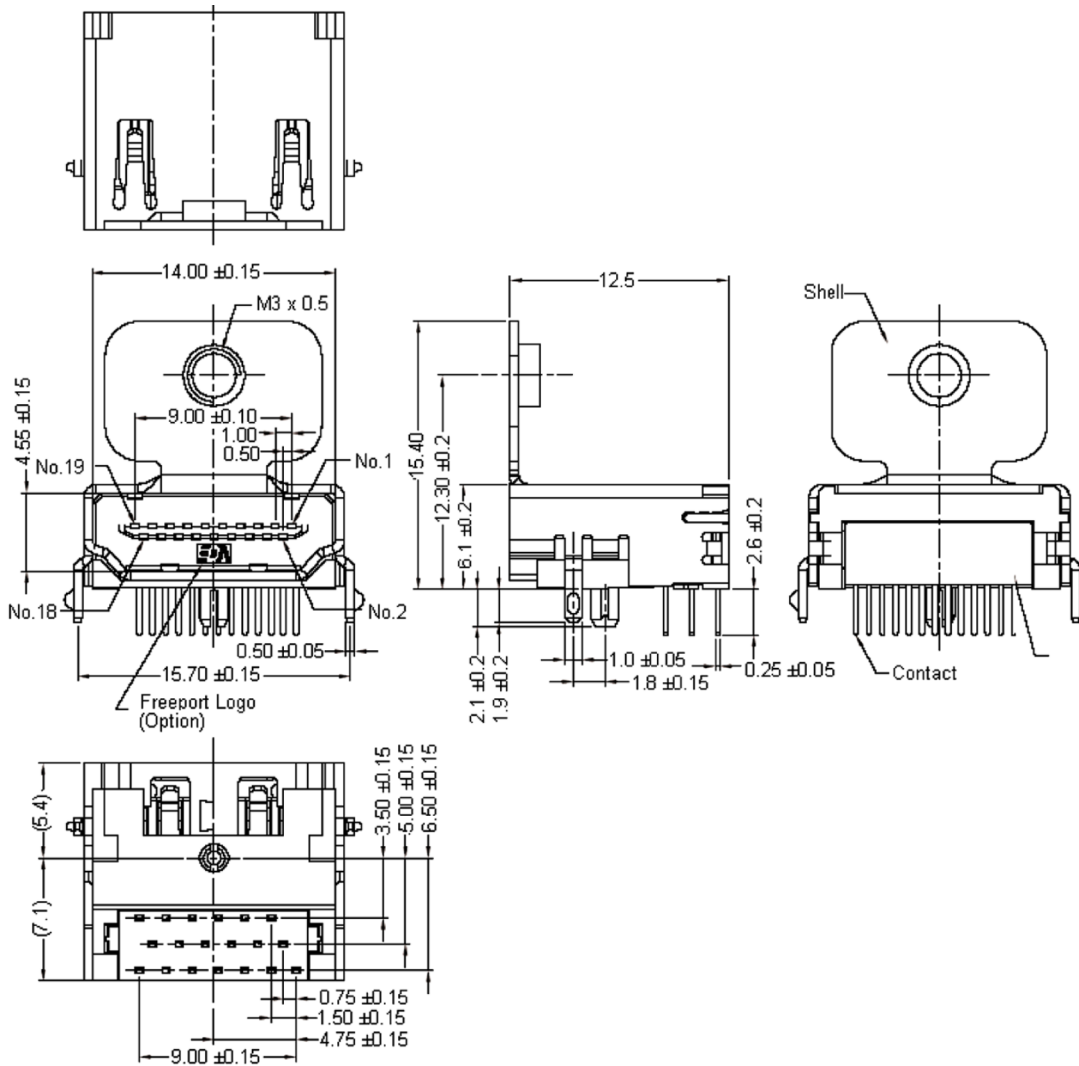
Connector Type	: HDMI
Gender	: Receptacle
Contact Termination	: Through Hole Right Angle
Connector Mounting	: PCB
Colour	: Black
Contact Resistance	: 10mΩ
Current Rating	: 7A
Insulation Resistance	: 1,000MΩ
Insulator Material	: Nylon 6.6
Lead Spacing	: 0.5mm
No. of Rows	: 2
No. of Ways	: 19
Operating Temperature	: -40°C to +105°C
Pitch Spacing	: 3.96mm
Termination Method	: Solder
Voltage Rating	: 250V AC
Withstand Voltage	: 1,500V

Material:

Housing & Cover	: High Temperature Thermoplastic
Contact	: Copper Alloy
Contact Plating	: Gold Plated over Nickel on Contact Area and 100µ" Min. Tin Plated over Nickel on Solder Tails
Shell Plating	: Solderable Nickel Plated or Tin Plated or Gold Plated

HDMI Header Through Hole with Flange

multicomp PRO

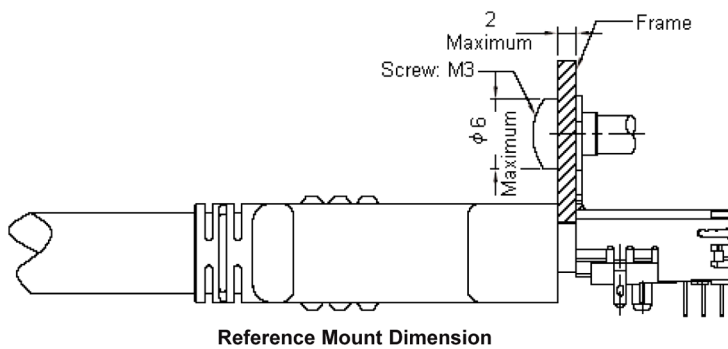
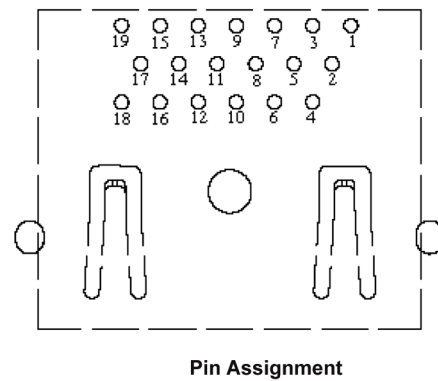
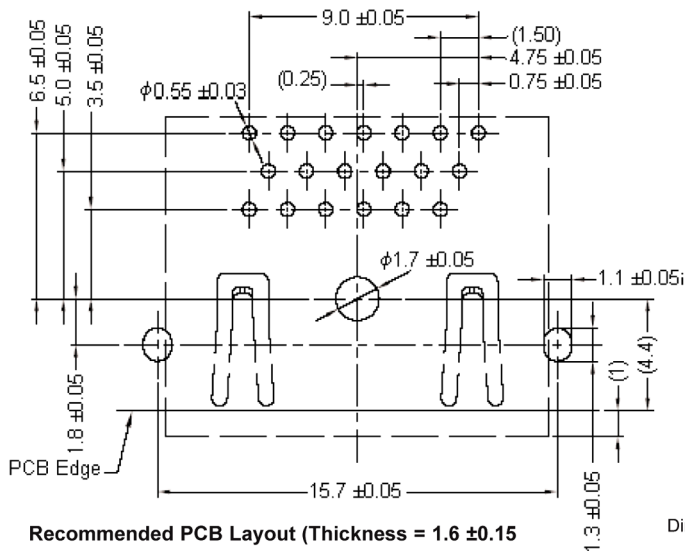


Dimensions : Millimetres

Newark.com/multicomp-pro
Farnell.com/multicomp-pro
Element14.com/multicomp-pro

multicomp PRO

HDMI Header Through Hole with Flange



Part Number Table

Description	Part Number
Header, R/A, HDMI, T/Hole, W/Flange	MC34937

Important Notice : This data sheet and its contents (the "Information") belong to the members of the AVNET group of companies (the "Group") or are licensed to it. No licence is granted for the use of it other than for information purposes in connection with the products to which it relates. No licence of any intellectual property rights is granted. The Information is subject to change without notice and replaces all data sheets previously supplied. The Information supplied is believed to be accurate but the Group assumes no responsibility for its accuracy or completeness, any error in or omission from it or for any use made of it. Users of this data sheet should check for themselves the Information and the suitability of the products for their purpose and not make any assumptions based on information included or omitted. Liability for loss or damage resulting from any reliance on the Information or use of it (including liability resulting from negligence or where the Group was aware of the possibility of such loss or damage arising) is excluded. This will not operate to limit or restrict the Group's liability for death or personal injury resulting from its negligence. Multicomp Pro is the registered trademark of Premier Farnell Limited 2019.