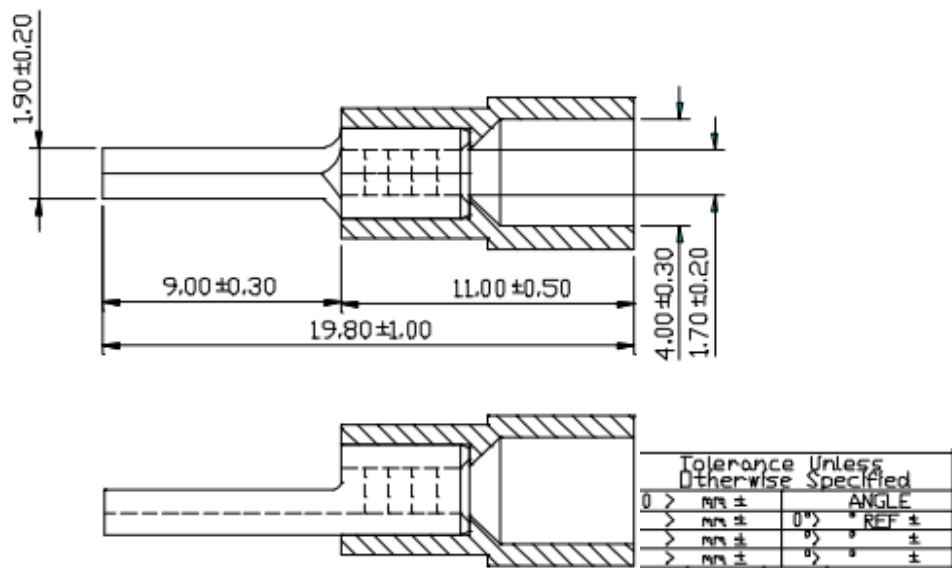


# Datasheet

## Red crimp pin connector

RS Stock number [613-9621](#)

Dimensions: (mm)



## Specifications

- Maximum Electric Current: 

A.W.G.	22	20	18	16
AMP.	9	12	17	18
- Maximum Electrical Rating: 75 °C 600 Volts Max
- Insulation Material: Vinyl
- Insulation Colour: Red
- Terminal Material: Copper
- Wire Range: 22-16AWG (0.5-5mm<sup>2</sup>)