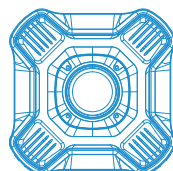


RECHARGEABLE LED PORTABLE FLOODLIGHT



MX5 SERIES



Power Adaptor

Application

Decks, Marinas, Docks, Ports, Warehouses

Material

Aluminium alloy LED front frame, polycarbonate diffuser and ABS plastic housing

Protection Class

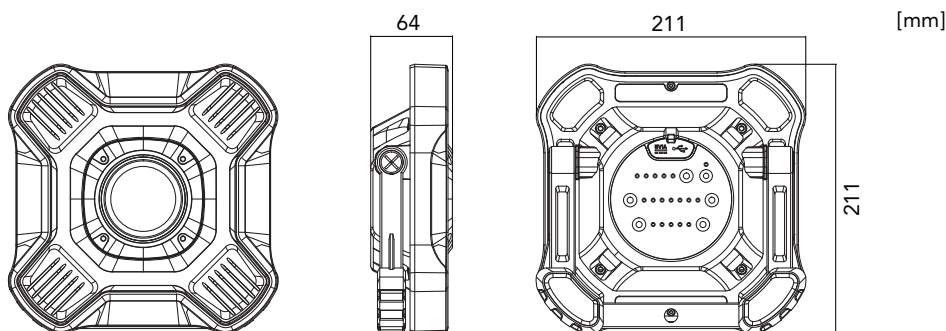
IP54

Weight

1.5Kg

Key Features

- High performance COB LED with rechargeable lithium ion battery
- 7-step dimming
- Compact and lightweight
- Vibration and impact resistant
- 50,000 hours LED lifespan, battery life up to 500 charges
- USB power bank function for emergency charging of mobile devices
- Indicator lights show battery level and charging status
- Swivel stand can rotate 180°
- Safety compliance, RoHS.



TECHNICAL SPECIFICATIONS

IP 54

BH Code	Type	Main Voltage	Power	CCT	Charging Time	Ambient Temp (Ta)	System Lumen
LAMX5FA	MX5	100V - 240V AC	40W	5000K	3 hrs	-20°C ~ +50°C	5000lm

DIMMING SETTINGS

Brightness level	100%	86%	72%	58%	44%	30%	16%
Lumens output	5000lm	4300lm	3600lm	2900lm	2200lm	1500lm	800lm
Light run-time	2 hrs	2.3 hrs	2.7 hrs	3.4 hrs	4.5hrs	6.5hrs	12 hrs