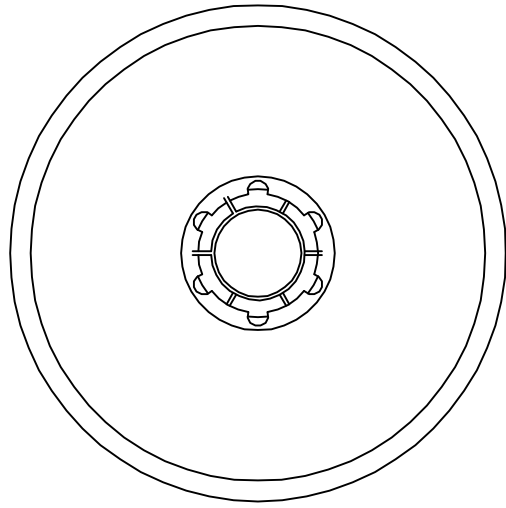
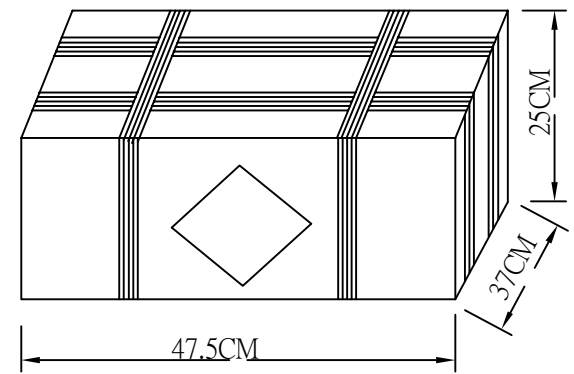
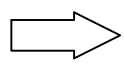
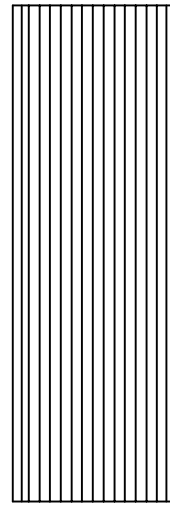


客戶料號	360093	
PITCH		
客戶代碼	C395	



30M/RL

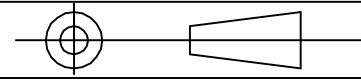


Q'TY: 14 PCS

CARTON: 475*370*250MM



項目	材料	規格	數量	單位
1	31000000935	外箱:475*370*250MM	1/14	PCS
2	330010023410	LABEL:"75*55MM"	1	PCS
3	330010010538	LABEL:297*210MM	1/14	PCS
4	320080000247	PIZZA盒:230*235*45MM	1	PCS
5	1101100011	FLAT CABLE:28AWG*10C,GRAY,UL2651<PH:1.27>	30	M



ITEM: 360093	REV: C
DRAW BY: EMILY	SCALE: NONE DATE: 2006-08-24
CHECK BY:	CUSTOMER:
APP BY:	CUSTOMER P/N:

ALL DIMENSIONS IN mm