

Datasheet

DPDT Toggle Switch ON-ON, Panel Mount

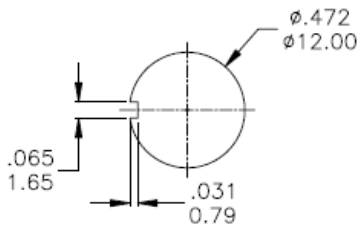
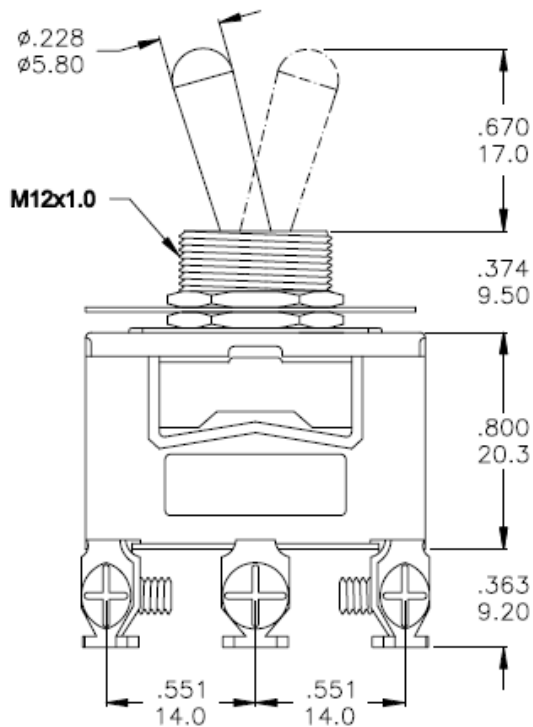
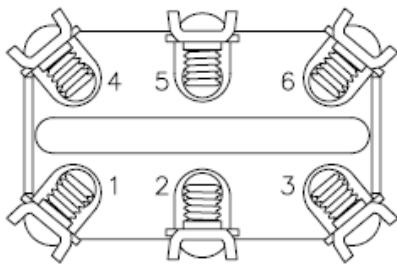
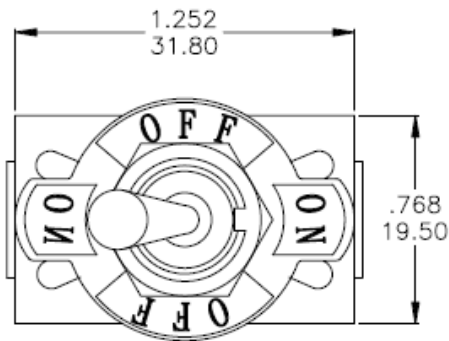
RS Stock number 734-6805



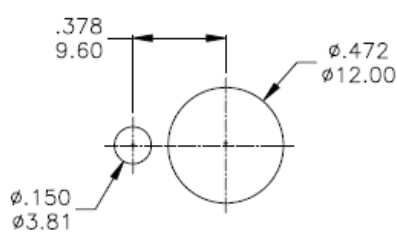
Specifications:

Rating:	10A 250VAC, 15A 125VAC, 15A 250VAC, 20A 125VAC
Insulation Resistance:	DC 500V 200M Ω or more
Contact Resistance:	DC 2 – 4V 1A, 20m Ω or less
Withstand Voltage:	AC 1500V or more

**Dimensions – inch
mm**



Without locking ring.



With standard locking ring.

PANEL MOUNTING

NO. POLES	MODEL NO.	SWITCH FUNCTION			TERMINAL QUANTITY	CONNECTED TERMINALS		
		POS.1	POS.1	POS.1		POS.1	POS.1	POS.1
DPDT	706-1	ON	NONE	ON	6P	1-2 4-5	—	2-3 5-6

MOM=MOMENTARY