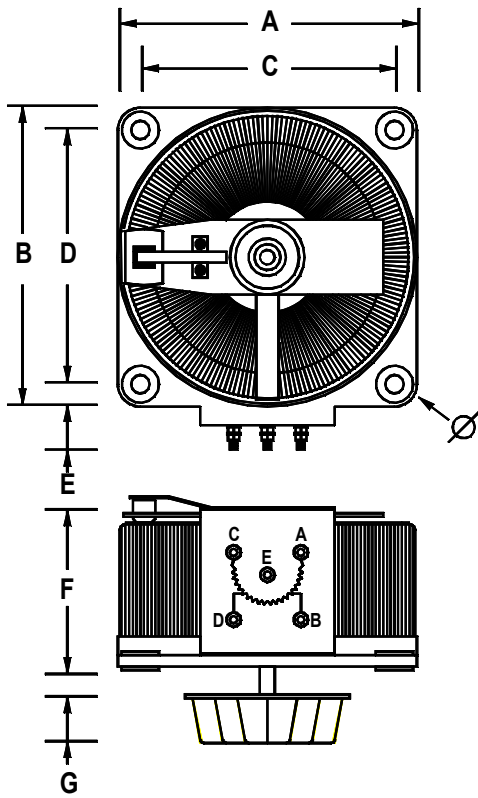
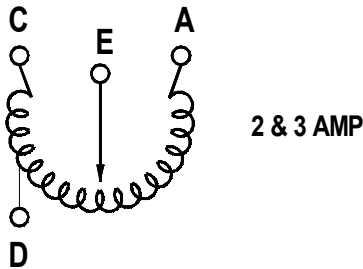


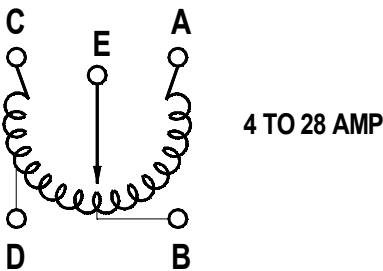
OPEN STYLE VARIABLE TRANSFORMERS INSTALLATION AND SAFETY INSTRUCTIONS



INPUT 240 V AT A-C OR A-D
OUTPUT 0-240 OR 0-270 AT A-E



INPUT 240 V AT A-C OR A-D
OUTPUT 0-240 OR 0-270 AT A-E



CONNECTION DIAGRAM

1. Read all of these instructions before you use the transformer.
2. This transformer is not designed to provide mains isolation.
3. Variable transformers operate at mains voltage.
DO NOT EXCEED THE MAXIMUM VOLTAGE AND CURRENT RATING.
4. Installation connection and maintenance should only be carried out by suitably qualified personnel.
5. This transformer is open style and must be fitted within its own enclosure or within a protected environment.
6. When connected to the electrical supply the terminals, brushes and track face are at mains potential with a potentially lethal voltage.
7. The output from the transformer must always be applied across the load.
Never connect the transformer in series with the load.
8. The carbon brush should be inspected for damage or wear, faulty or worn brushes will result in damage to the windings.
9. The E terminal is the output from the transformer and must not be earthed.
10. The transformer is Class 1 insulated and must not be tested on Portable Appliance Testers as Class 2 products.
Flash test only at 2kV between the windings and earth

REMOVE THE PACKING FROM THE CARBON BRUSH BEFORE PUTTING INTO SERVICE

Type	RS Part Code	Output Amps	A mm	B mm	C mm	D mm	E mm	F mm	G mm	∅ mm	Weight kgs
WCV2F-1	8902774	2	110	110	92	92	15	95	30	7	3
WCV3F-1	8902777	3	110	110	92	92	15	115	30	7	3.4
WCV5F-1	8902771	5	175	175	146	146	25	102	35	10	8
WCV8F-1	8902780	8	175	175	146	146	25	130	35	10	8
WCV10F-1	8902783	10	175	175	146	146	25	135	35	10	8.5
WCV15F-1	8902787	15	225	225	176	176	25	135	40	11	14.5
WCV20F-1	8902796	20	225	225	176	176	25	135	40	11	16

