



ENGLISH

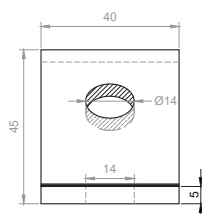
Datasheet

Obtuse Angle Bracket Hot Dipped Galvanised

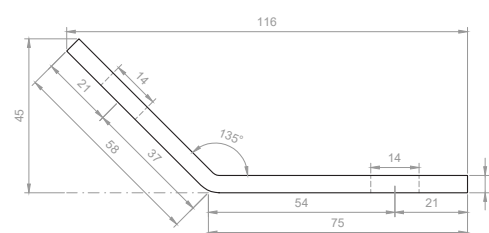
RS Stock No **1766921**

Size **45 degree 58 x 75**

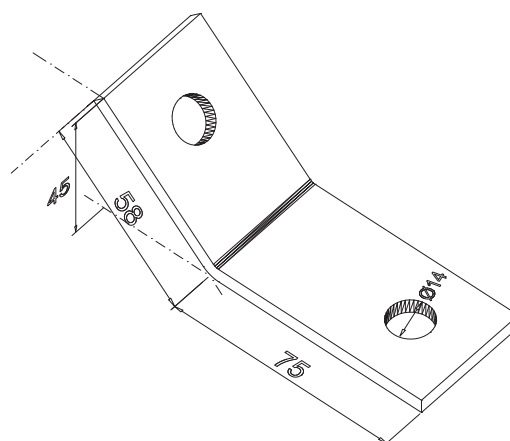
Angle Brackets are used on the installation of channel support systems, to join several channel/Strut sections together.



FRONT VIEW



SIDE VIEW



Please view our full range listing below

RS Stock No	Size (mm)
1766921	45 degree 58 x 75 (<i>Obtuse</i>)
1766897	45 degree 72 x 108 (<i>Acute</i>)