

Datasheet

RS PRO NYLON-INSULATED RING

TERMINALS

Stock number: 178-8637

MAXIMUM ELECTRIC CURRENT:

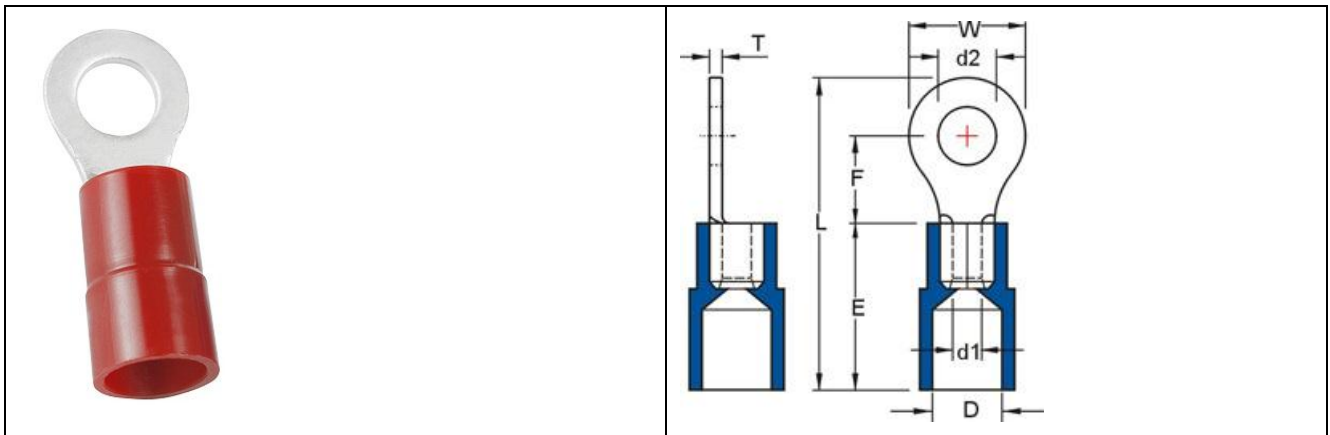
A.W.G.	22	20	18	16
AMP.	9	12	17	18

MAXIMUM ELECTRICAL RATING: 105° C 600 VOLTS MAX.

INSULATION MATERIAL: NYLON

TERMINAL MATERIAL: COPPER

INSULATION COLOR: RED



WIRE RANGE A.W.G. mm ²	ITEM NO.	STUD SIZE	DIMENSION inch(mm)								
			BRAZED SEAM	d2	W	F	L	E	D	d1	T
22-16 A.W.G.	178-8637	#8		0.169	0.315	0.276	0.858	0.433	0.157	0.067	0.03
0.5-1.5 mm ²				4.3	8	7	21.8	11	4.000	1.7	0.75