

Datasheet

19-inch Front Panel, 3U, 14hp, Grey, Aluminium

RS Stock number 500-746

KM6-II FRONT PANELS

STANDARD TYPE 3U

KM6-EC COMPATIBLE

- Comprehensive range of widths
- Two versions
- Supplied in kit or bulk pack form
- Conform to IEC 297-3 and DIN 41494

Version 1 has anodised front and inner faces. The method of manufacture can produce two cut edges which will not be visible in normal use. Version 1 panels can be identified by their 957 prefix. Material grain is horizontal and the kit includes plastic retaining inserts as standard. These inserts can be replaced with a metal type - please see page 4.56 for details.

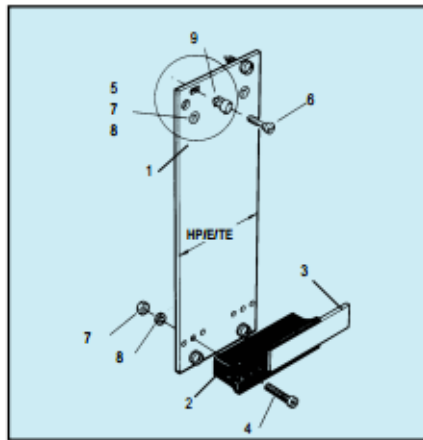
Version 2 has an anodised front face and a chromated, conductive inner face for grounding purposes. Supplied with metal retaining inserts as standard. Version 2 panels are prefixed with 953.

Bulk packing

Subject to minimum quantities, we can supply front panel kits in bulk, offering savings in packaging and unpacking time. Please specify 'BULK PACK' when ordering.

CONTENTS OF KIT

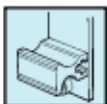
Item	Description	Material
1	Front panel	2,5mmg ALMg3 ½ hd
2	Handle	Luranyl® 2452/1, black
3	Ident label	1,5mmg A1Mg3 ½ hd
4	Screw M2, 5 x 16	
5	Screw M2, 5 x 7	
6	Special screw M2,5	
7	Nut M2,5	
8	Shakeproof washer M2,5	
9	Retaining insert. See Text	Assembly instructions



Order separately:



Card mounting brackets Page 4.52

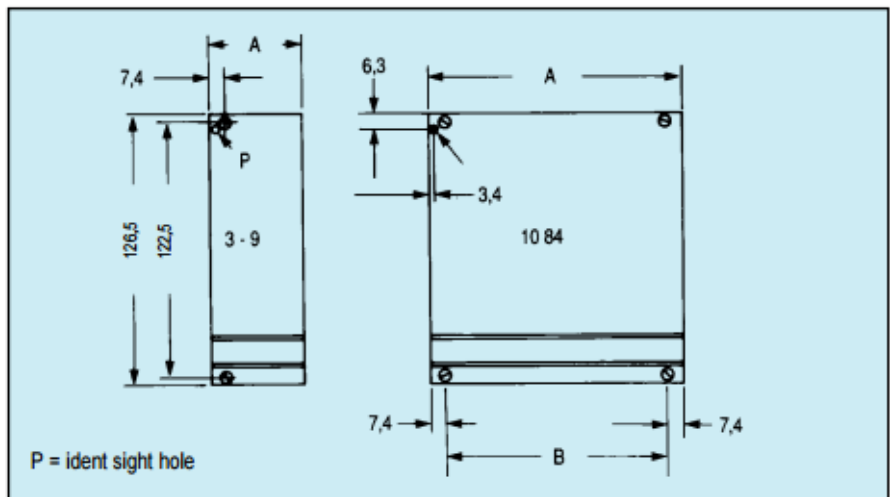


Slimline extruded handles Page 4.47



Screws, bushes Page 4.56

● = Denotes minimum order quantity, please contact our sales office.



3U KM6-II FRONT PANELS

Ordering information

Panel width	Dim 'A'	DIM 'B'	3U	
			Order code VERSION 1	Order code VERSION 2
3 HP	14,8	-	957-235347A	953-235335G
4 HP	19,9	-	957-235348K	953-235336E
5 HP	25,0	-	957-235349H	953-235339K
6 HP	30,1	-	957-235351K	953-235340C
7 HP	35,2	-	957-235352H	953-235341A
8 HP	40,2	-	957-235353F	953-235342K
9 HP	45,3	-	957-235354D	953-235376D
10 HP	50,4	35,6	957-235355B	953-235343H
12 HP	60,6	45,7	957-235356L	953-235344F
14 HP	70,7	55,9	957-235357J	953-235345D
21 HP	106,3	91,4	957-235358G	953-235346B
24 HP	121,5	106,7	957-235359E	-
42 HP	213,0	198,1	957-235360J	-
84 HP	426,3	411,5	957-236065F*	-

* This item has no handles

STANDARD TYPE 6U

KM6-EC COMPATIBLE

- Comprehensive range of widths
- Two versions
- Supplied in kit or bulk pack form
- Conform to IEC 297-3 and DIN 41494

Version 1 has anodised front and inner faces. The method of manufacture can produce two cut edges which will not be visible in normal use. Version 1 panels can be identified by their 957 prefix. Material grain is horizontal and the kit includes plastic retaining inserts as standard. These inserts can be replaced with a metal type - please see page 4.56 for details.

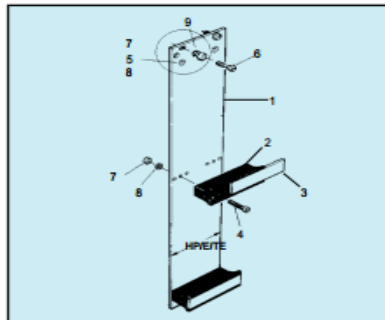
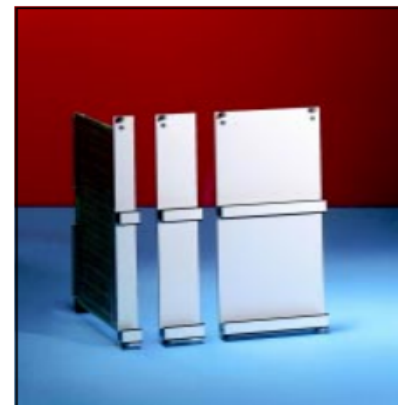
Version 2 has an anodised front face and a chromated, conductive inner face for grounding purposes. Supplied with metal retaining inserts as standard. Version 2 panels are prefixed with 953.

Bulk packing
Subject to minimum quantities, we can supply front panel kits in bulk, offering savings in packaging and unpacking time. Please specify 'BULK PACK' when ordering.

CONTENTS OF KIT

Item	Description	Material
1	Front panel	2,5mmg ALMg3 1/2 hd
2	Handle	Luranyl® 2452/1, black
3	Ident label	1,5mmg A1Mg3 1/2 hd
4	Screw M2, 5 x 16	
5	Screw M2, 5 x 7	
6	Special screw M2,5	
7	Nut M2,5	
8	Shakeproof washer M2,5	
9	Retaining insert. See Text	
	Assembly instructions	

KM6-II FRONT PANELS



Order separately:



Card mounting brackets Page 4.52

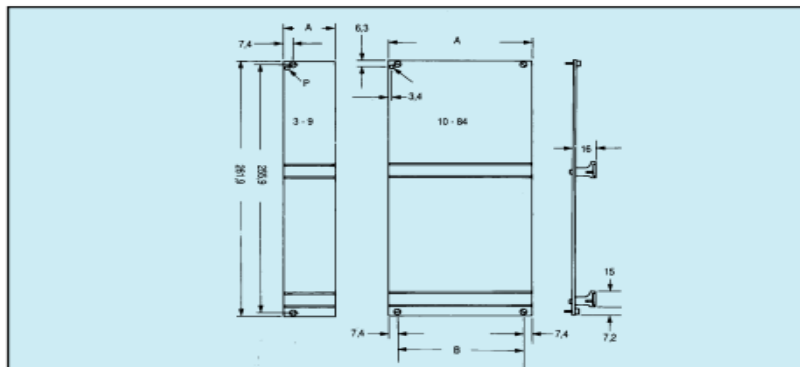


Slimline extruded handles Page 4.47







Screws, bushes Page 4.56

= Denotes minimum order quantity, please contact our sales office.



6U KM6-II FRONT PANELS

Ordering information

Panel width	Dim 'A'	DIM 'B'	6U	
			Order code VERSION 1	Order code VERSION 2
3 HP	14,8	-	-	-
4 HP	19,9	-	957-235459A	953-235442F 
5 HP	25,0	-	957-235460E	-
6 HP	30,1	-	957-235461C	953-235444B 
7 HP	35,2	-	957-235462A	-
8 HP	40,2	-	957-235463K	953-235446J 
9 HP	45,3	-	-	-
10 HP	50,4	35,6	957-235465F	-
12 HP	60,6	45,7	957-235466D	953-235449C 
14 HP	70,7	55,9	957-235467B	-
21 HP	106,3	91,4	-	-
24 HP	121,5	106,7	957-235469J	-
42 HP	213,0	198,1	957-235470B	-
84 HP	426,3	411,5	957-236073G	-

* This item has no handles