

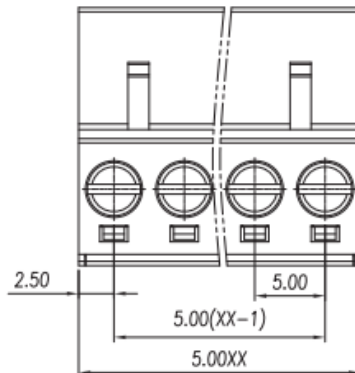
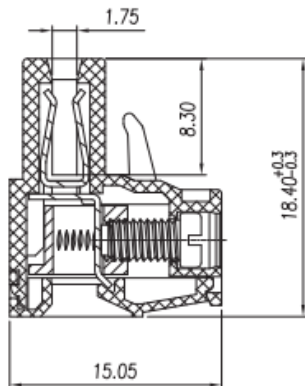
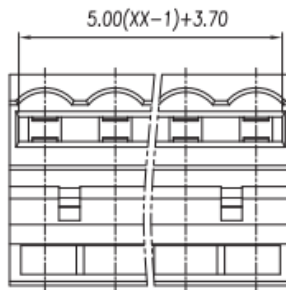
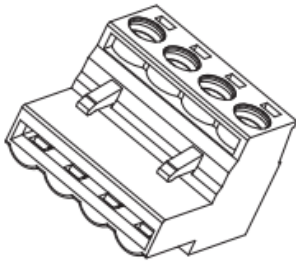
Datasheet

New 5.0mm Plug Board edge

RS Stock 874-5534



Dimensions: (mm)

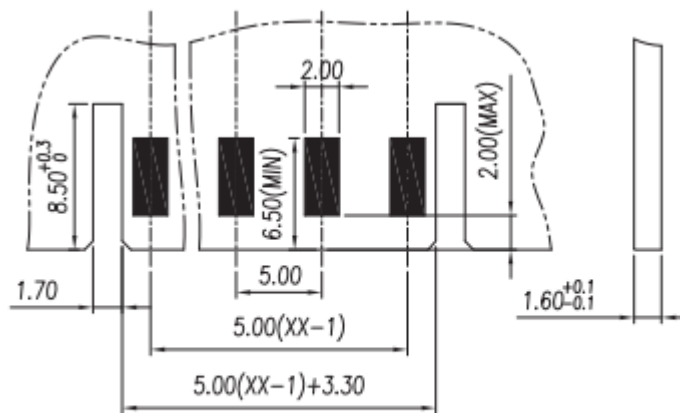


Specifications

- Rated Voltage: 300V 10A
- Insulation Withstands Voltage: AC 2000 V/ Min
- Contact Resistance: 20 Ω
- Insulation Resistance: 500 Ω M or more at DC500V
- Temperature Range: -40°C ~ +105°C
- Torque: 0.5Nm (4.5Lb.in)
- Strip Length: 7-8mm
- Pitch: 5.0mm
- Poles: 2P-24P

Materials

- Housing: PA66 / UL94V-0
- Wire Guard: Brass / Ni Plated
- Clamp: Phosphor Bronze / Ni Plated
- Screws: M3 o , Steel Zinc Plated



P.C.B. LAYOUT